

# Shot Clock Brackets

by DRAPER

## Specifications—Universal Shot Clock Brackets

Draper Universal Shot Clock Brackets are designed to allow mounting of most single sided basketball shot clocks to single post T-Stem style backstops. Choose No. 503005 Shot Clock Bracket for 6" OD mast pipes or 503006 Shot Clock Bracket for 6<sup>5</sup>/<sub>8</sub>" OD backstops.

Brackets are constructed from 2" x 1"-11 gauge rectangular tubing that is pre-drilled to accept mast attachment hardware. Bracket is attached to backstop with a precision cut and formed saddle that is designed to fit backstop mast, 5/8"-11, grade 5 U-bolt and 5/8"-11 flange lock nuts. All hardware zinc plated. Holes to mount shot clock to brackets are field drilled at time of installation to insure proper fit. Hardware to attach Shot Clock to Brackets is not included. Shot Clock brackets are sold in sets of two brackets. One set of brackets required for each shot clock.

Shot clocks, conduits, wiring and electrical components shall be supplied by the other parties.

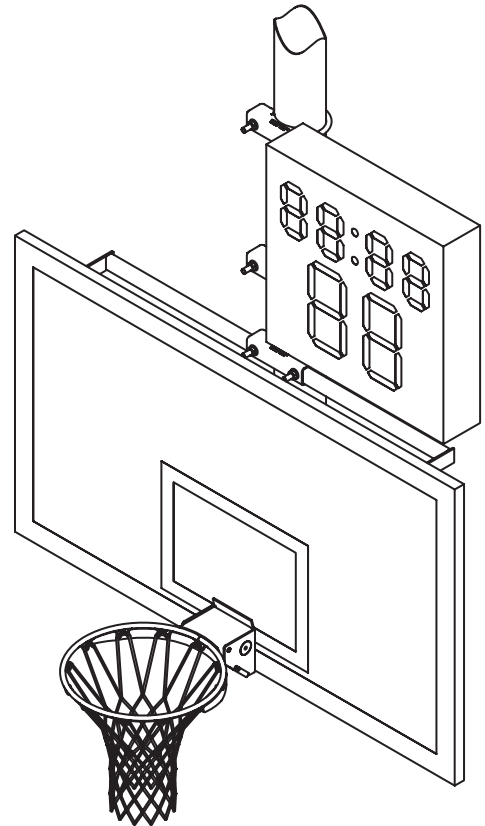
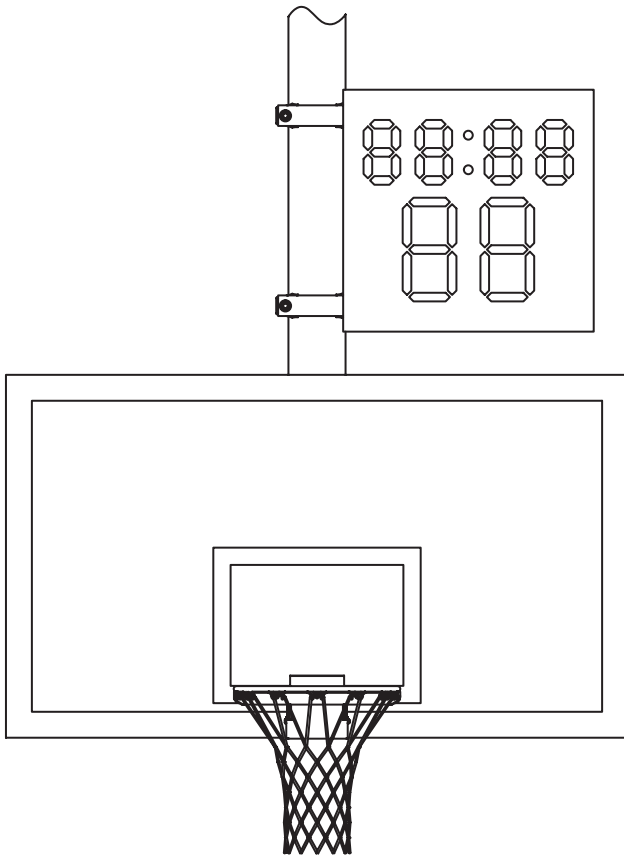
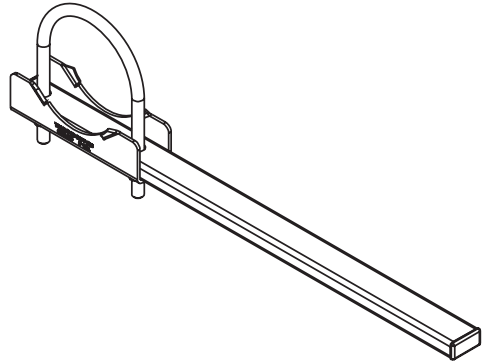
### Select Brackets and Quantities:

- 503005—Universal Shot Clock Bracket for 6" OD Single Post Backstop (Pair)

How Many? \_\_\_\_\_

- 503006—Universal Shot Clock Bracket for 6<sup>5</sup>/<sub>8</sub>" OD Single Post Backstop (Pair)

How Many? \_\_\_\_\_



DRAPER®

411 S. Pearl St., Spiceland, IN 47385 USA ■ 765-987-7999  
www.draperinc.com ■ fax 866-637-5611

Copyright © 2010 Draper Inc. Form ShotClockBrackets\_Sub10 Printed in U.S.A.

PROJECT: \_\_\_\_\_

ARCHITECT: \_\_\_\_\_

CONTRACTOR: \_\_\_\_\_

SUPPLIER: \_\_\_\_\_

DATE: \_\_\_\_\_ REVISED: \_\_\_\_\_