

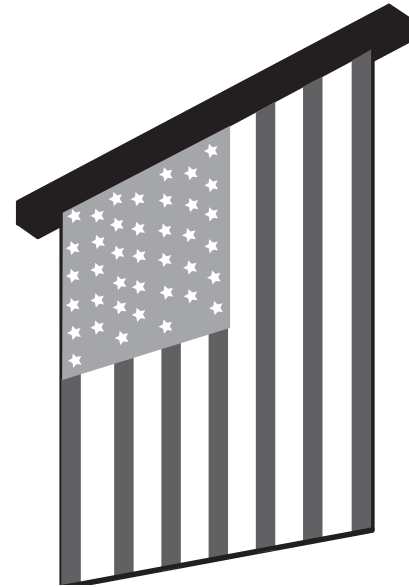
Specifications—Patriot

Patriot American Flags, oriented ([vertically] [horizontally]), electrically operated 60 hz., 110-120V AC. Motor to be 3-wire, instantly reversible, designed for the purpose, lifetime lubricated. With internal thermal overload protector and mechanical brake. Motor mounted on rubber vibration insulators. Preset, accessible limit switches. Entire drive unit easily removable from case.

Roller to be heavy gauge metal 5" O.D. Zinc plated roller brackets to have double row radial ball bearings.

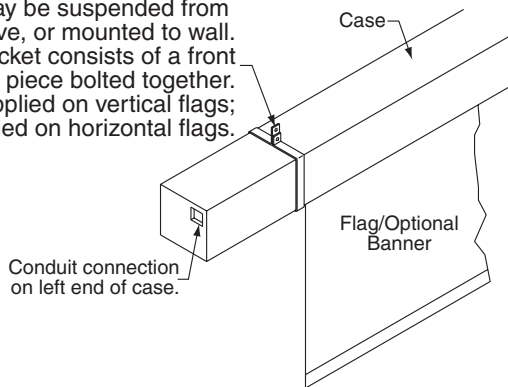
The Patriot can display a flag either vertically (banner) or horizontally. The flag measures 12' x 18' when displayed vertically or 18' x 12' when displayed horizontally. The vertical (banner) flag is housed in a 14'10" case, and the horizontal flag is housed in a 20'10" case. Case of 3/4" warp resistant composition wood, with hinged panel for motor compartment, finished with primer coat of paint. Motor compartment to be metal lined. Bottom of case fully enclosed except slot allowing fabric passage. Steel mounting brackets, at least 1/4" thick, wrap under bottom edge of case.

Standard product includes a sewn, nylon flag. Options include state flags or school banners, provided by customer.



Methods of Installation

Universal Mounting Bracket may be suspended from above, or mounted to wall. Each bracket consists of a front and back piece bolted together. 2 supplied on vertical flags; 3 supplied on horizontal flags.



Please Mark Appropriate Selections

Select Flag Orientation

- 500101 Banner How Many? _____
 500102 Horizontal How Many? _____

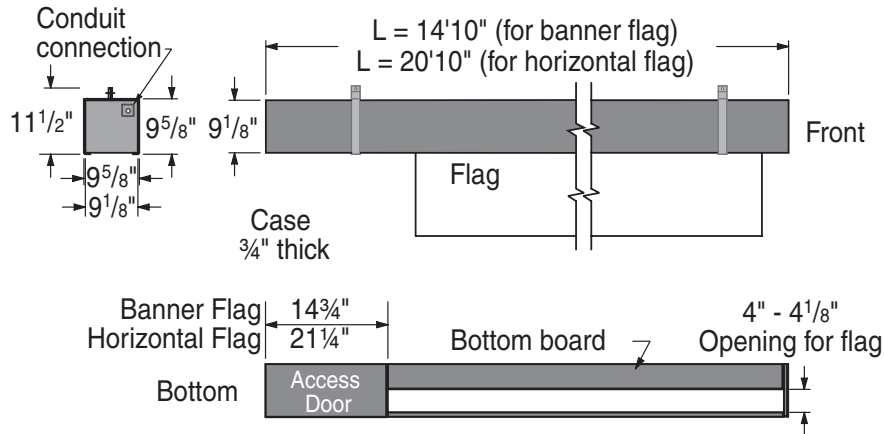
Select Control Options

- Key Switch (standard)
 EZ Power Wireless Remote Control (See separate sheet)
 Smart Gym (See separate sheet)

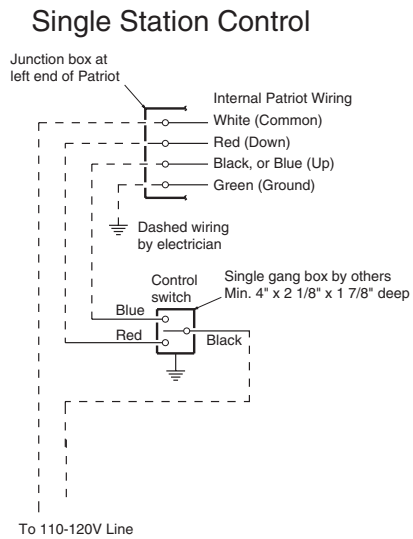
PROJECT: _____

 ARCHITECT: _____
 CONTRACTOR: _____
 SUPPLIER: _____
 DATE: _____ REVISED: _____

Case Dimensions



Patriot Wiring Diagram



Key Switch

