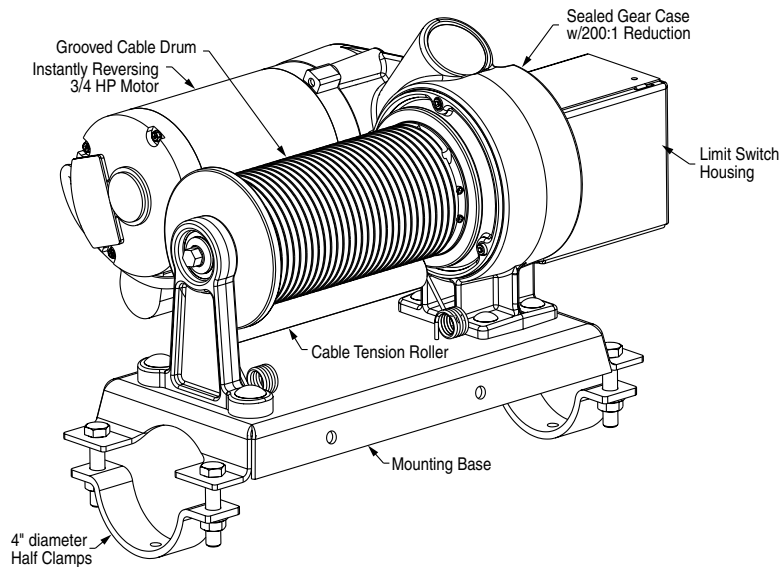
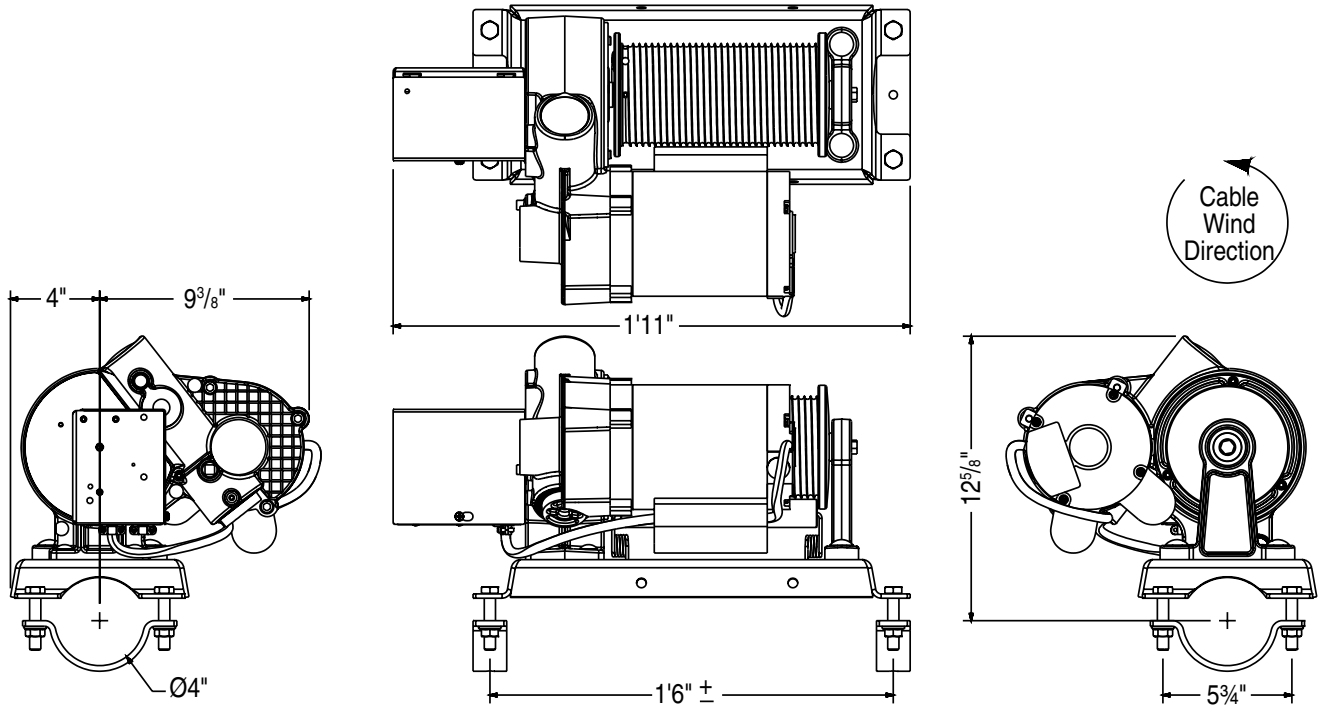


High Voltage Backstop Winch

Motorized Winch for use with
EZ Fold Basketball Backstops

by **DRAPER**

Winch Assembly Diagram/Mounting Options



PROJECT: _____

ARCHITECT: _____

CONTRACTOR: _____

SUPPLIER: _____

DATE: _____ REVISED: _____

DRAPER

411 S. Pearl St., Spiceland, IN 47385 USA ■ 765-987-7999
www.draperinc.com ■ fax 765-987-7142

High Voltage Backstop Winch

Motorized Winch for use with
EZ-Fold Basketball Backstops 

Specifications—High Voltage Basketball Backstop Electric Winch

_____ high voltage winches, model 503283/503288 Basketball Backstop Electric Winch by Draper, Inc., Spiceland, Indiana. Winch delivers 1250 pounds (566 Kg) of vertical line pull and is UL listed as a complete assembly.

Winch features a powerful 3/4 HP, 220 volt, single phase, instant reverse motor with thermal overload protection. Motor is rated at an intermittent 10 minute duty cycle. Winch has integral limit switches to stop travel in up and down positions.

Winch has an oil-bath gear case with precision ball bearings and premium seals for a lifetime of maintenance-free, leak free operation. Gear case features hardened steel gears that are securely captured to take on radial and thrust loads. Double worm gear reduction is in a ratio of 200:1 to provide exceptional holding power under load and eliminates the need for special or supplemental braking systems. Winch is specified to continuously run at the maximum rated load of 1250 lbs/ 566 kilograms for the motor's rated duty cycle of 10 minutes without sustaining any gear damage.

Winch has a large 4 1/2" diameter cable drum that is helically grooved to accept 1/4"-7 x 19 galvanized aircraft cable. Drum will accept up to 35' (10.7 meters) on a single layer and has a torsion spring tensioning roller to insure cable tracks properly into grooves, even if cable is allowed to go slack. Large diameter, grooves, and tensioning spring provide long cable life and performance.

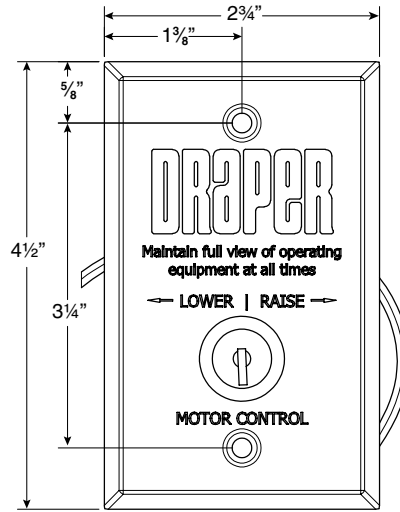
Winch can be mounted in any orientation that allows for correct wrap direction and unobstructed cable travel which provides extreme flexibility during installation.

Winch Assembly is covered by a five-year limited warranty and weighs just 68 Lbs. (30.8 kilograms).

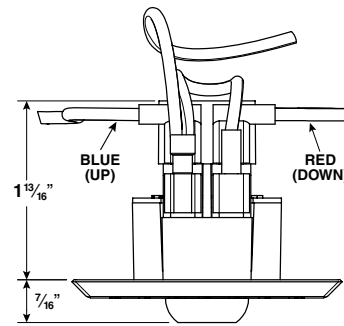
Please Select Winch

- 503283—220V, Single Phase 60 Hz. Backstop Electric Winch with Key Switch
- 503288—220V, Single Phase 50 Hz. Backstop Electric Winch with Key Switch

Key Switch



FRONT



TOP

Wiring Diagram

