

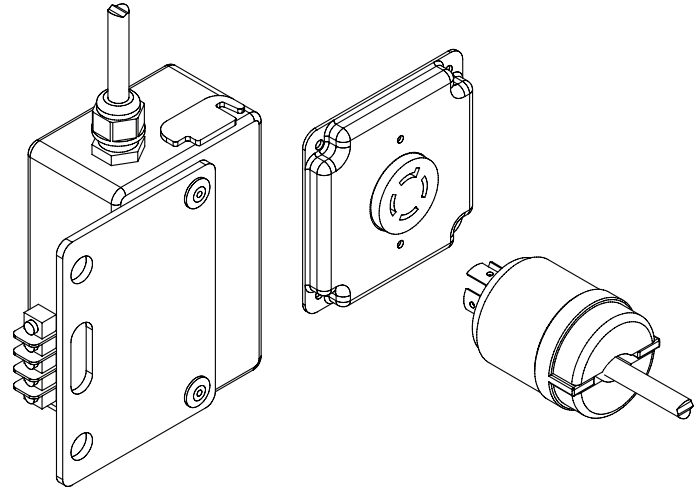
## **EZ-Power Wireless Remote Control**

For Remote Control operation of backstops, dividers and height adjusters.

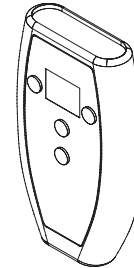
**503060 EZ-Power Wireless Remote Receiver/Operator:** EZ-Power Wireless Remote Receiver/Operator is a commercial type 110-120V AC receiver with a coding switch for individual operation by the portable transmitter. Radio control system eliminates control wiring, wall boxes and individual key switches as used on conventional remote control key systems. EZ-Power Wireless Remote Receiver/Operator shall be capable of operating one electric motor for backstops, dividers or height adjusters with up to a 1 HP rating. Each electric motor must be equipped with EZ-Power Wireless Remote Receiver/Operator. Receiver shall be factory wired and installed in an (6" x 4" x 2½") enclosure with a 6'-0" long power cord with a four-prong NEMA style twist lock grounded plug. Receiver to include a three-position terminal block mounted on the enclosure for an optional low voltage key switch for motor control.

Each receiver shall be supplied with a matching flange type receptacle, cover for 4" box and male plug to be attached to whip of motor being operated. All wiring and electrical components are to be in accordance with local codes and as per manufacturers installation instructions. All conduits, wiring and electrical components not specified herein, shall be supplied by the electrical contractor.

**503061 EZ-Power Hand Held Remote Control Transmitter:** EZ-Power Hand Held Remote Control Transmitter shall be capable of operating up to 99 individual electric receivers (for backstops, dividers or electric height adjusters). Power supply for hand held shall be a standard 9-volt battery. Operating range for hand held transmitter approximately 100'.

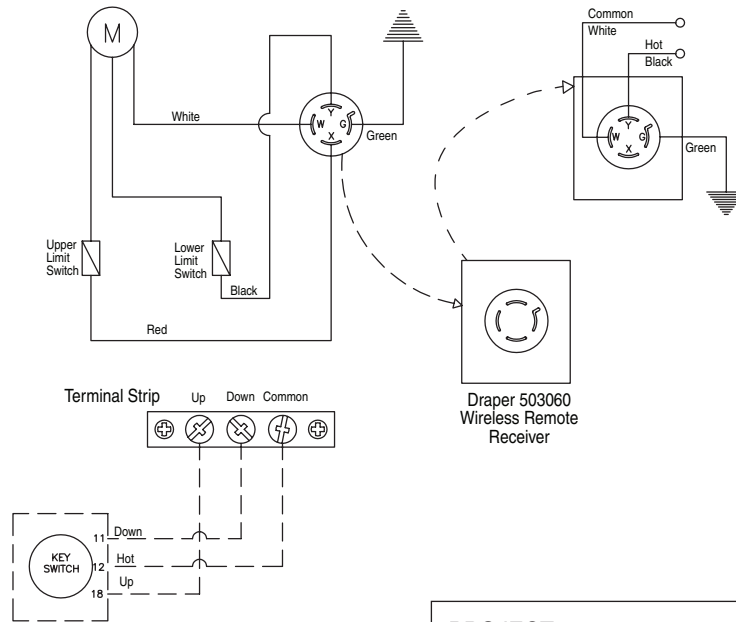


503060 EZ-Power Wireless Remote Receiver/Operator



503061 EZ-Power Hand Held Remote Control Transmitter

### **Typical Wiring Diagram for use with Backstop and Divider Winches**



Optional Key Switch Wiring Diagram

PROJECT: \_\_\_\_\_

ARCHITECT: \_\_\_\_\_

CONTRACTOR: \_\_\_\_\_

SUPPLIER: \_\_\_\_\_

DATE: \_\_\_\_\_ REVISED: \_\_\_\_\_