

DRAPER[®]

PATRIOT Motorized Flag

Draper's newest gymnasium product makes a dramatic presentation of the United States flag anywhere. "Old Glory" appears at the touch of a switch or wireless transmitter. Standard product includes a sewn, nylon American flag. Options include state flags or school banners, provided by customer.

The Patriot can display a flag either vertically (500101) or horizontally (500102). Flag measures 12' x 18' with both mountings. The vertical or banner flag is housed in a 14'10" case, and the horizontal flag is housed in a 20'10" case. Custom sizes available.



(Left) Close-up of flag mounting and case (below). Patriot Motorized Flag at Knightstown, IN, High School. Architect: R.W. Clinton & Associates, Inc. Photography: Wayne Williams, Indianapolis, IN.

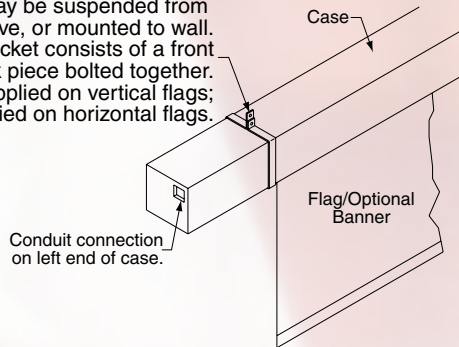


DRAPER[®]

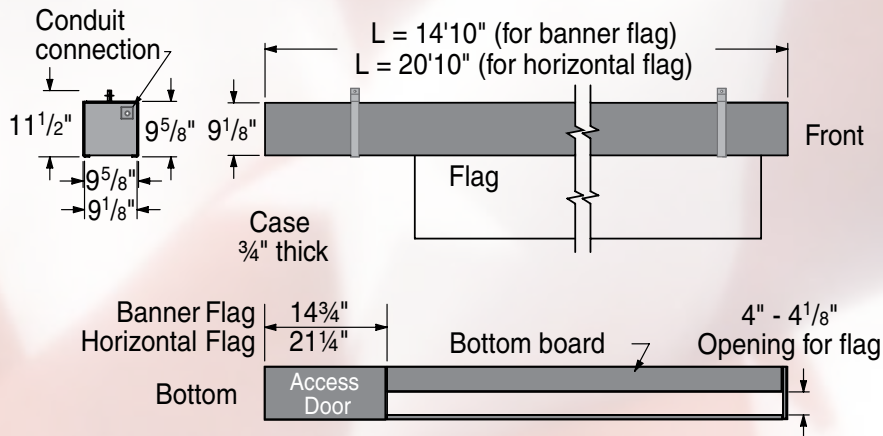
PATRIOT

Motorized Flag

Universal Mounting Bracket may be suspended from above, or mounted to wall. Each bracket consists of a front and back piece bolted together. 2 supplied on vertical flags; 3 supplied on horizontal flags.



Patriot Dimensions



Specifications—Patriot Motorized Flag

Patriot American Flags, oriented ([vertically] [horizontally]), electrically operated 60 hz., 110-120V AC. Motor to be 3-wire, instantly reversible, designed for the purpose, lifetime lubricated. With internal thermal overload protector and mechanical brake. Motor mounted on rubber vibration insulators. Preset, accessible limit switches. Entire drive unit easily removable from case. Roller to be heavy gauge metal 5 O.D. Zinc plated roller brackets to have double row radial ball bearings. The Patriot can display a flag either vertically (banner) or horizontally. The flag measures 12' x 18' when displayed vertically

or 18' x 12' when displayed horizontally. The vertical (banner) flag is housed in a 14'10" case, and the horizontal flag is housed in a 20'10" case. Case of 3/4" warp resistant composition wood, with hinged panel for motor compartment, finished with primer coat of paint. Motor compartment to be metal lined. Bottom of case fully enclosed except slot allowing fabric passage. Steel mounting brackets, at least 1/4" thick, wrap under bottom edge of case. Standard product includes a sewn, nylon flag. Options include state flags or school banners, provided by customer.

DRAPER[®]

411 South Pearl Street, P.O. Box 425, Spiceland, IN 47385 USA
Tel. 765-987-7999 • Fax 765-987-7142 • www.draperinc.com
© 2009 Draper, Inc. PatriotFlagFlyer_09 Printed in U.S.A.