

# Installation/Operating Instructions

## Patriot Motorized Flag by Draper

### Caution

- ① Read instructions through completely before proceeding.
- ② Follow instructions carefully. Installation contrary to instructions invalidates warranty.
- ③ Entire bottom of case should be unobstructed to permit access to bottom panels for making electrical connections or servicing.
- ④ Patriot should be installed level (using a carpenter's level).
- ⑤ Nothing should be fastened to flag.
- ⑥ Operating switch(es) packed separately in unit carton. Do not discard with packing material.
- ⑦ Unit operates on 110-120V AC, 60 hz. current.

**NOTE:** Unit has been thoroughly inspected and tested at factory and found to be operating properly prior to shipment.

*These instructions are meant as a guide only. They do not imply any responsibility on the part of Draper, Inc. for improper installation or faulty workmanship at the jobsite.*

### Hanging Patriot Case

#### General:

When locating flag and checking clearance for operation, remember flag is not centered in case: see dimensional drawings on reverse. All installations should observe these important criteria:

- ① Unit should be positively and securely supported so that vibration or even abusive pulling will not weaken installation.
- ② Installer must insure that fasteners used are of adequate strength and suitable for the mounting surface.
- ③ Entire bottom of case must be readily accessible after installation is complete. Be sure the access door opens freely for adjustments and service.
- ④ Vertical (banner) flags have two mounting brackets; horizontal flags have three. Brackets should be located along case to line up with supporting beams or studding. Left hand bracket is normally secured just to right of access door and right hand bracket about one foot from right end of case.

**Please Note: Mount the case using the two end brackets first. If a center bracket is provided, mount it last. The center bracket is designed to prevent sagging of the case, and must be mounted so that it is level with the others and does not force the screen case up.**

- ⑤ Horizontal flags with three brackets must be mounted so that center bracket is level with the others and does not force the case upward or downward.
- ⑥ Do not use the case to support adjacent sections of ceiling.
- ⑦ If trim pieces must be attached to case, do not permit screws to protrude through  $\frac{3}{4}$ " wall of case. Do not attach trim with nails.
- ⑧ If case is painted, slot must be shielded to protect flag from paint splatters and overspray.
- ⑨ Do not seal unit in ceiling until electrical connections have been made and flag has been operated successfully. Flag must always be installed level so that it will unroll correctly.

#### Wall Installation—

Brackets should fasten to studding or other structural supports within wall that are capable of supporting weight of flag (310 lbs).

#### Suspended Installation—

Chains should be attached to solid beams or rafters above unit. If possible, mounting brackets should be positioned so chains hang vertically. Turnbuckles should be connected between chains and mounting brackets. After the unit has been suspended, turnbuckles should be adjusted so that flag hangs level.

#### Recessed Installation—

Recess should be constructed to fit case with brackets (see "Case Dimensions" on back page). Design recess so that entire bottom of case is unobstructed to permit access to bottom panel, roller and flag for servicing if required.

### Electrical Connections

Unit operates on 110-120V, 60 hz. AC current.

Units are shipped with internal wiring complete, with all switches (fully boxed) and a wiring diagram. Wire connecting unit to switch (or switches) and switch to power supply should be supplied by installer or electrician. Wires should be connected following the wiring diagram provided, and all wiring should comply with local and national electrical codes.

**All operating switches should be "Off" before power is connected.**

### Adjustments

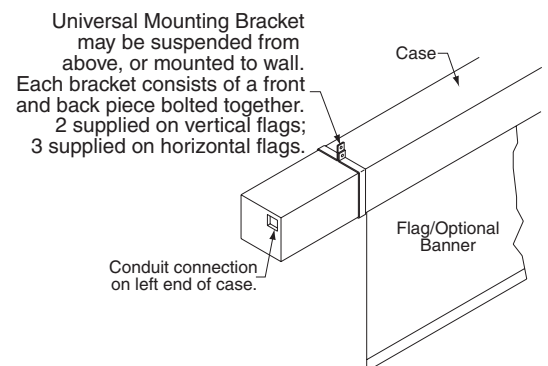
Flag limit has been factory set and should not normally require further adjustment. However, if you desire to change the "up" and "down" stopping positions, proceed as follows:

**CAUTION:** Be sure all switches are in "off" position before adjusting limit switches. Always be prepared to shut unit off manually when new adjustment is being tested. Unit may be severely damaged if flag is allowed to run too far up or too far down.

**Adjusting "fully up" position** — "Up" limit switch is located on right side of limit switch assembly, immediately behind access door to case. Right hand, hex head machine screw contacts limit switch button to shut unit off. Turning this machine screw clockwise will allow flag to run farther up into case. Turning it counterclockwise will cause flag to stop sooner, farther out of the case.

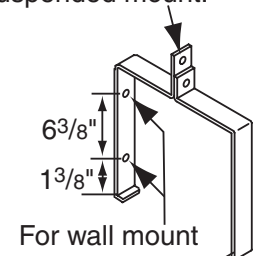
**Adjusting "fully down" position** — "Down" limit switch is located on left side of limit switch assembly, immediately behind access door to case. Left hand, hex head machine screw contacts limit switch button to shut unit off. Turning this machine screw clockwise will allow flag to run farther down before stopping. Turning it counterclockwise will cause flag to stop in a less extended position. At no time should flag be unrolled far enough to expose any part of the roller. Make all adjustments in small increments, and be sure nut on machine screw is tight against steel limit switch support before closing access door.

**Please Note: When installing a Patriot with a vertical OR horizontal United States flag, please be sure the blue field with stars is located in the upper left hand corner (as seen from the front). See instructions on Position and Manner of Display of U.S. Flag on page two prior to installation."**



### Patriot Mounting Bracket

For suspended mount.



# DRAPER

411 S. Pearl St., Spiceland, IN 47385 USA ■ 765-987-7999

www.draperinc.com ■ fax 765-987-7142

Copyright © 2007 Draper Inc. Form Patriot\_Inst07 Printed in U.S.A.

*If you encounter any difficulties installing or servicing your Patriot motorized flag, call your dealer or Draper, Inc., Spiceland, Indiana, (765) 987-7999, or fax (765) 987-7142.*

## Position and Manner of Display of US Flag

### When displayed either horizontally or vertically against a wall--

- Flag should be oriented to display the field of stars to the observer's uppermost left.

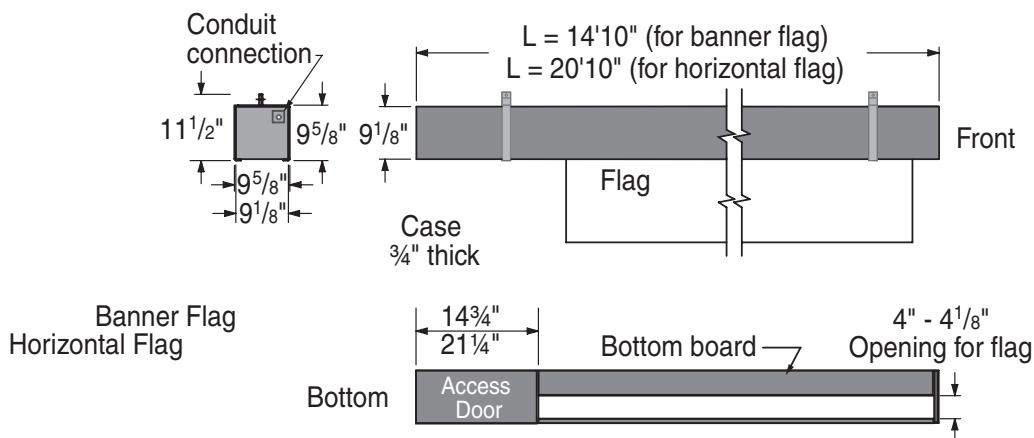
### When displayed away from the wall or in the middle of a room--

- If the building has one main entrance, flag should be suspended vertically and oriented with the field of stars to the observer's uppermost left upon entering.

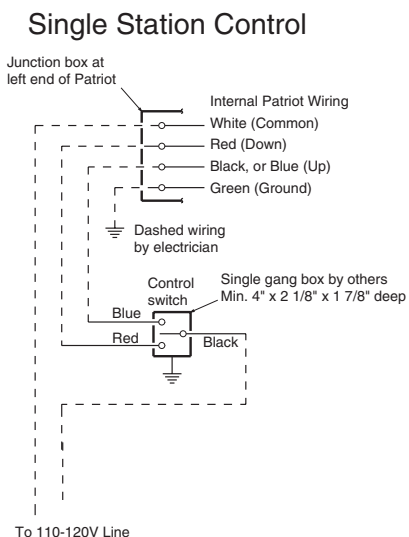
- If the building has more than one main entrance, the flag should be suspended vertically near the center of the room and positioned with the field of stars to the upper north corner if entrances are east and west, or with the field of stars to the upper east when entrances are north and south.
- If the building has entrances in more than two directions, the flag should be located near the center of the room and should be oriented to display the field of stars in the upper east corner.

Source: *The American Legion*

## Case Dimensions



## Patriot Wiring Diagram



## Key Switch

