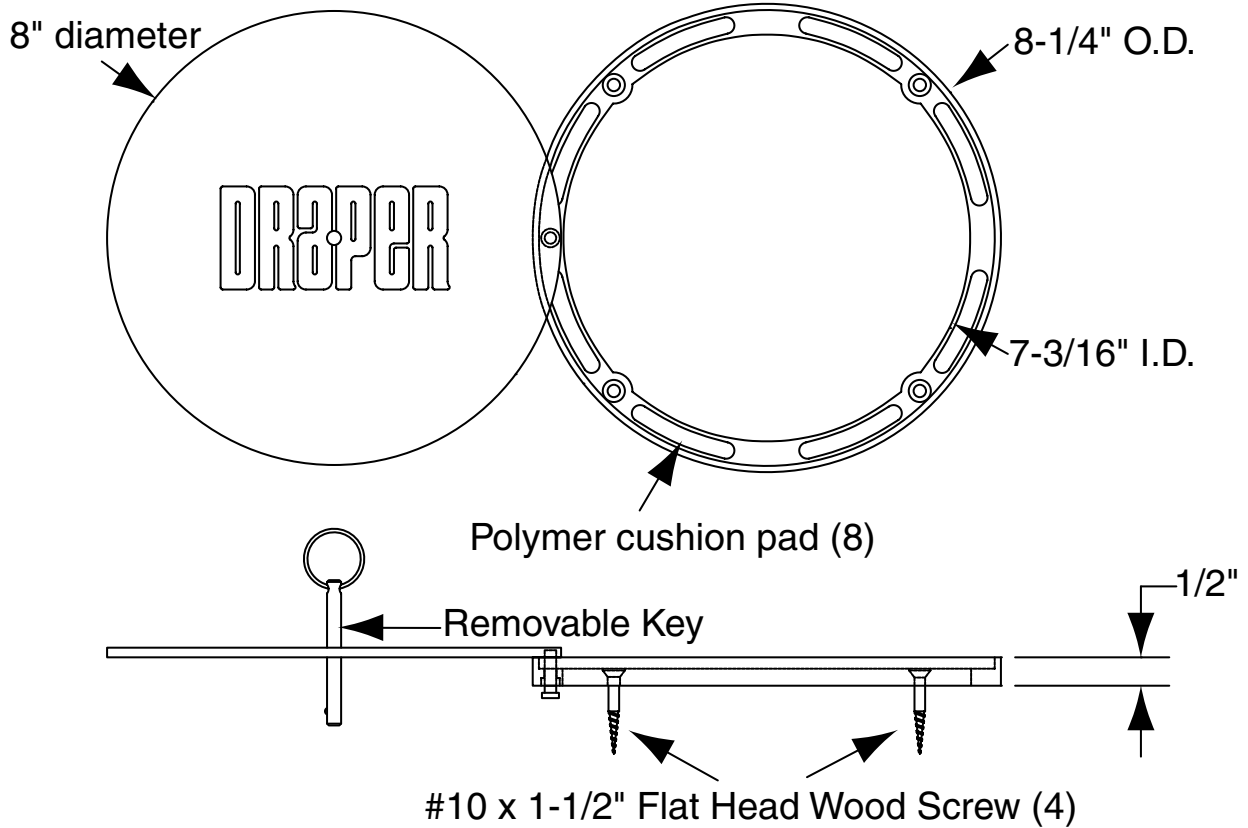


# Volleyball Floor Cover Plates by DRAPER

501034

8" Chrome Plated Floor Cover Plate



**Specifications—501034**

**8" Chrome Plated Floor Cover Plate Assembly**

Chrome Plated Cover Plate Assembly shall be 501034 by Draper. Chrome plated cover plate assembly shall provide for use in either synthetic or wood floors. Cover plate shall consist of a high-strength molded urethane recessed mounting flange, 8 1/4" in diameter and a 8" diameter chrome plated cover. Cover shall have a polished chrome finish. Cover shall be equipped with a swivel type retaining pin to prevent theft. A special key shall be provided for opening cover. Four #10 x 1 1/2" phillips-head wood screws shall be provided to securely mount cover plate assembly to floor. Plate shall be installed flush with playing surface.

**LEED® Submittal Information**

Credit	Measure	
MRc4 – Recycled Content	Post Consumer Average 36%	Post Industrial 7%



PROJECT: \_\_\_\_\_

ARCHITECT: \_\_\_\_\_

CONTRACTOR: \_\_\_\_\_

SUPPLIER: \_\_\_\_\_

DATE: \_\_\_\_\_ REVISED: \_\_\_\_\_