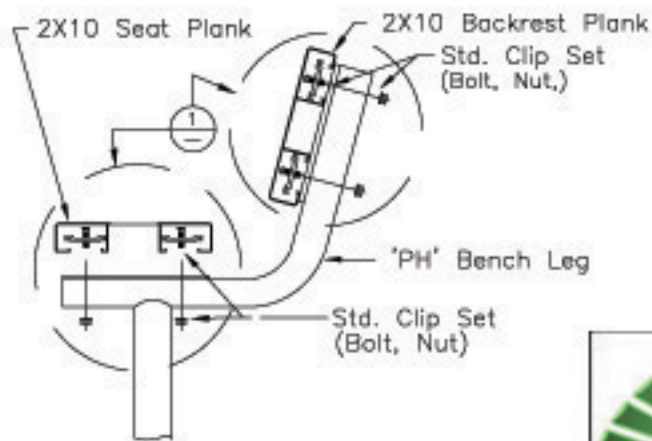


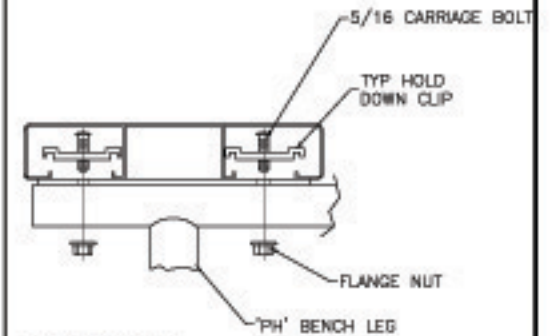
ISOMETRIC VIEW OF BENCH ASSEMBLY

Note: Plank Shown Dotted for Clarity

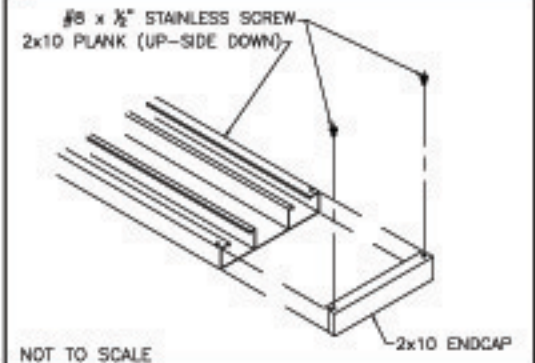


SIDE VIEW OF BENCH ASSEMBLY

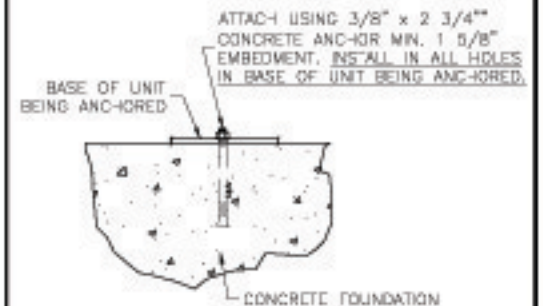
TYP 2x10 PLANK ATTACHMENT



TYP 2x10 ENDCAP ATTACHMENT



WEDGE ANCHOR DETAIL - 2 3/4"



builtriteBLEACHERS.com
67 Canterbury Ln Southington, CT 06489

SCALE: N.T.S.	APPROVED BY:	DRAWN BY: IMP
DATE: 6/4/12		
TITLE: PH BENCH DIMENSION LAYOUT		
CUSTOMER:		DRAWING NUMBER: BE-PI(DIM)