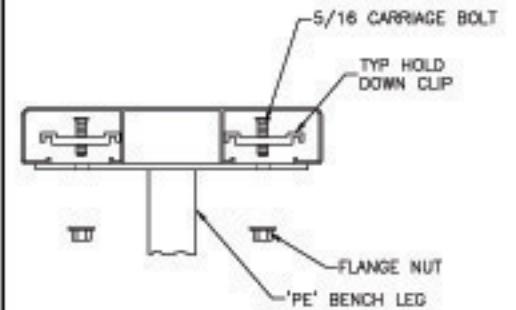


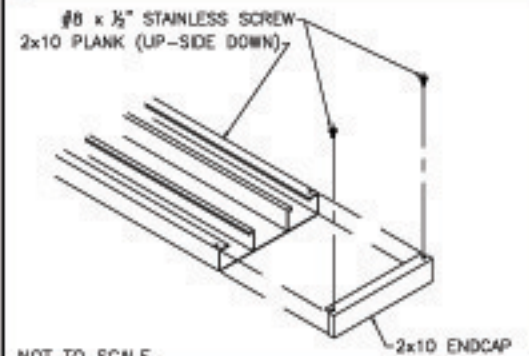
SIDE VIEW OF BENCH ASSEMBLY

TYP 2x10 PLANK ATTACHMENT



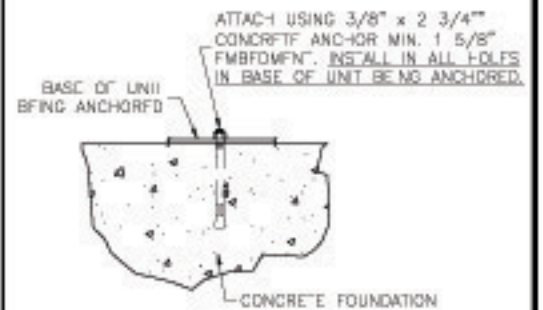
NOT TO SCALE

TYP 2x10 ENDCAP ATTACHMENT



NOT TO SCALE

WEDGE ANCHOR DETAIL - 2 3/4"



**builtriteBLEACHERS.com**  
 67 Canterbury Ln Southington, CT 06489

SCALE: N.T.S.	APPROVED BY:	DRAWN BY: IMP
DATE: 6/4/12		
TITLE: PE BENCH DIMENSION LAYOUT		
CUSTOMER:	DRAWING NUMBER: BE-PI(DIM)	