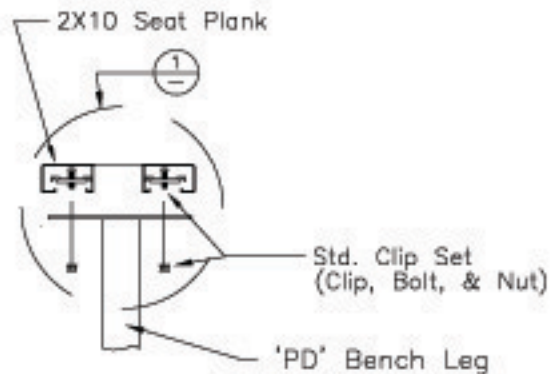


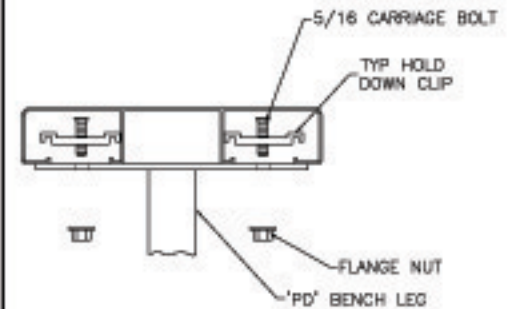
ISOMETRIC VIEW OF BENCH ASSEMBLY

Note: Seat Plank Shown Dotted for Clarity



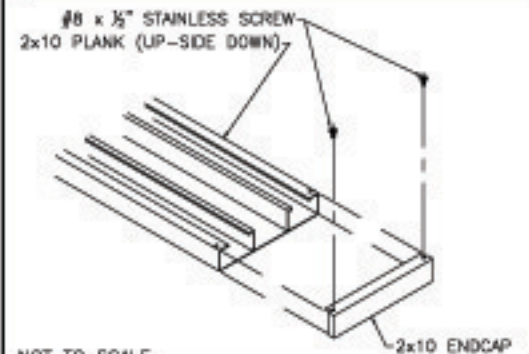
SIDE VIEW OF BENCH ASSEMBLY

TYP 2x10 PLANK ATTACHMENT



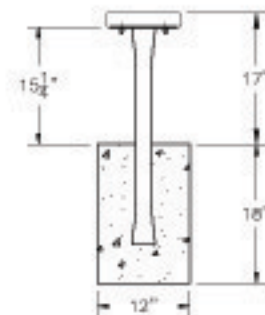
NOT TO SCALE

TYP 2x10 ENDCAP ATTACHMENT



NOT TO SCALE

PERMANENT BENCH HEIGHT DETAIL



NOT TO SCALE



builtriteBLEACHERS.com
67 Canterbury Ln Southington, CT 06489

SCALE: N.T.S.	APPROVED BY:	DRAWN BY: IMP
DATE: 6/4/12		
TITLE: PD BENCH DIMENSION LAYOUT		
CUSTOMER:	DRAWING NUMBER: BE-PI(DIM)	