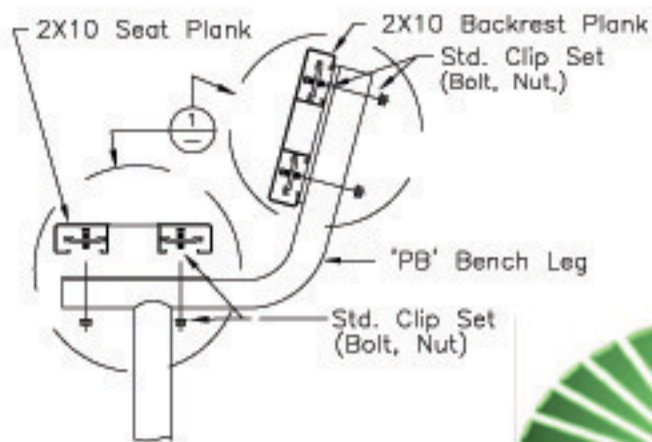


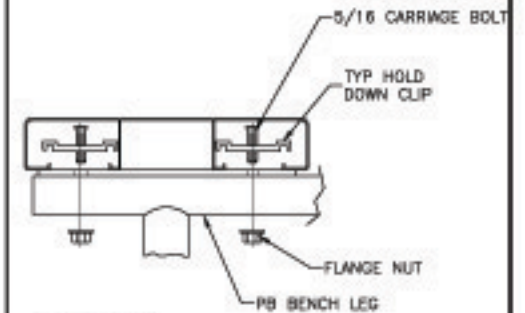
ISOMETRIC VIEW OF BENCH ASSEMBLY

Note: Plank Shown Dotted for Clarity



SIDE VIEW OF BENCH ASSEMBLY

TYP 2x10 PLANK ATTACHMENT



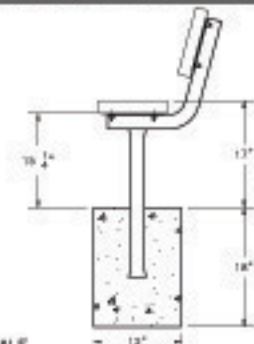
NOT TO SCALE

TYP 2x10 ENDCAP ATTACHMENT



NOT TO SCALE

PERMANENT BENCH HEIGHT DETAIL



NOT TO SCALE



builtriteBLEACHERS.com
67 Canterbury Ln Southington, CT 06489

| | | |
|---|--------------|----------------------------|
| SCALE: N.T.S. | APPROVED BY: | DRAWN BY: IMP |
| DATE: 6/4/12 | | |
| TITLE: PB BENCH DIMENSION LAYOUT | | |
| CUSTOMER: | | DRAWING NUMBER: BE-PI(DIM) |