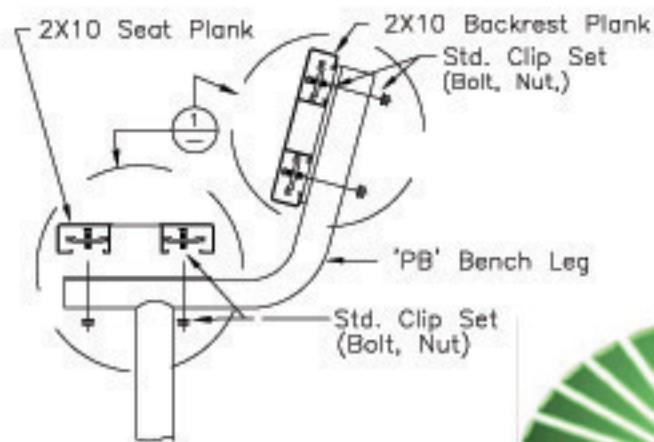


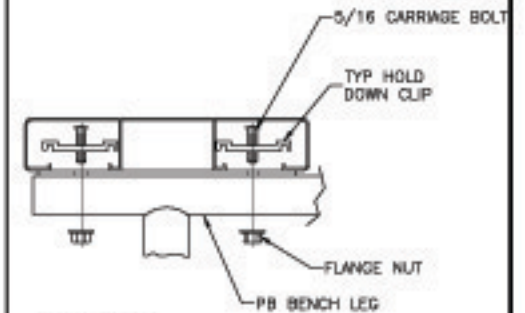
**ISOMETRIC VIEW OF BENCH ASSEMBLY**

Note: Plank Shown Dotted for Clarity



**SIDE VIEW OF BENCH ASSEMBLY**

**TYP 2x10 PLANK ATTACHMENT**



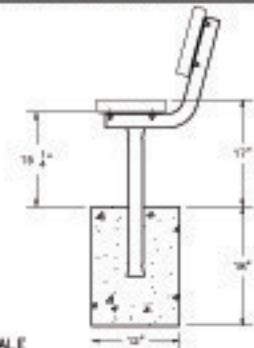
NOT TO SCALE

**TYP 2x10 ENDCAP ATTACHMENT**



NOT TO SCALE

**PERMANENT BENCH HEIGHT DETAIL**



NOT TO SCALE



**builtriteBLEACHERS.com**  
**67 Canterbury Ln Southington, CT 06489**

SCALE: N.T.S.	APPROVED BY:	DRAWN BY: IMP
DATE: 6/4/12		
TITLE: <b>PB BENCH DIMENSION LAYOUT</b>		
CUSTOMER:	DRAWING NUMBER: BE-PI(DIM)	