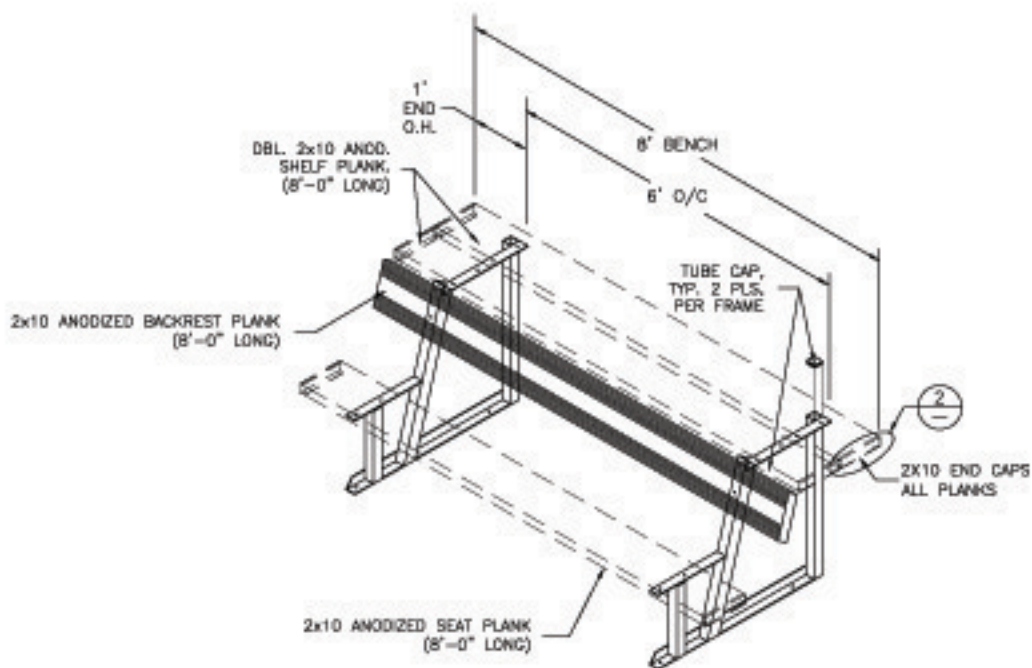
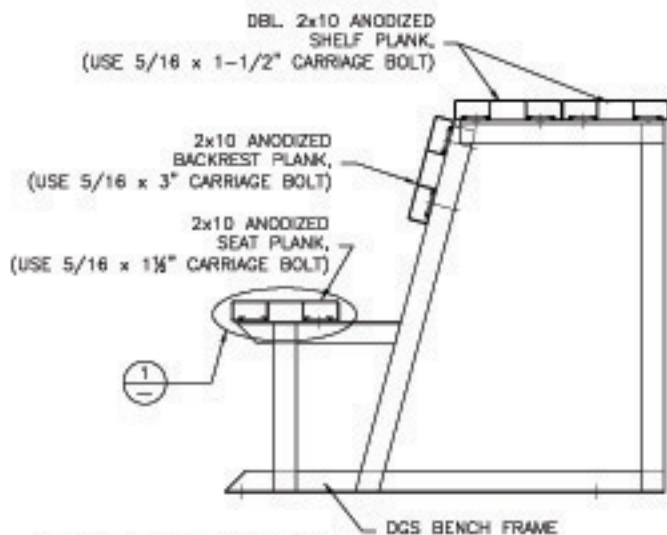


SEE DETAILS 3 & 4 FOR ANCHORING OPTIONS

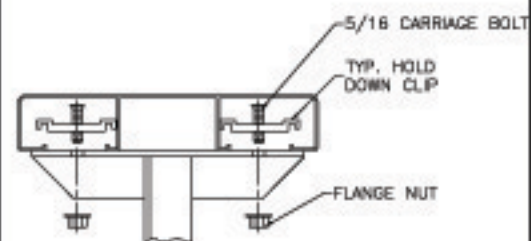


ISOMETRIC VIEW OF BENCH ASSEMBLY
Note: Seat Plank Shown Seated for Clarity



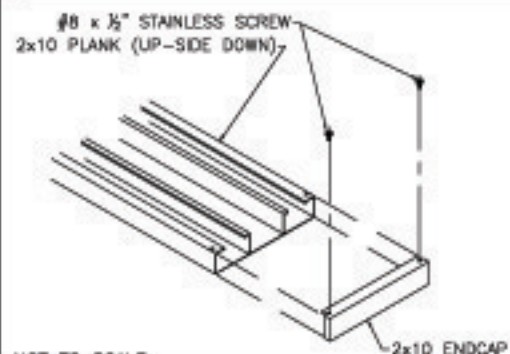
SIDE VIEW OF BENCH ASSEMBLY

TYP 2x10 PLANK ATTACHMENT



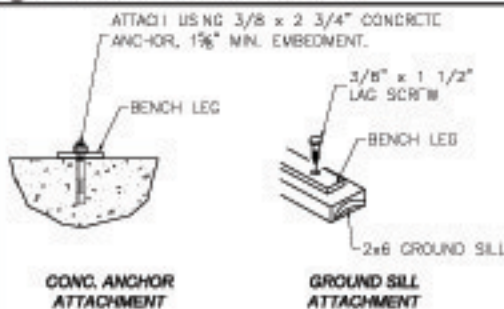
NOT TO SCALE

TYP 2x10 ENDCAP ATTACHMENT



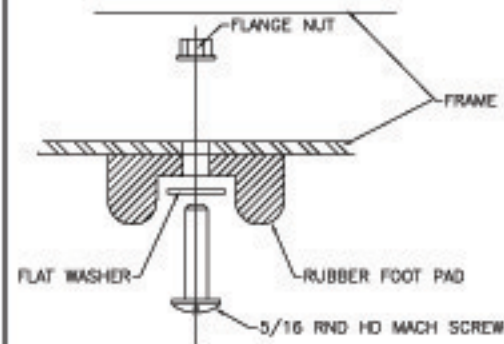
NOT TO SCALE

TYP ANCHORING DETAIL



NOT TO SCALE

RUBBER FOOT PAD ATTACH. DETAIL



builtriteBLEACHERS.com
67 Canterbury Ln Southington, CT 06489

SCALE: N.T.S.	APPROVED BY:	DRAWN BY: IMP
DATE: 6/4/12		
TITLE: DGS BENCH DIMENSION LAYOUT		
CUSTOMER:		DRAWING NUMBER: BE-PI(DIM)