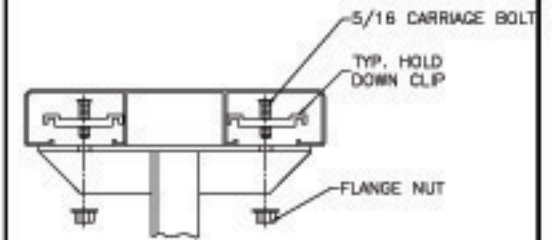


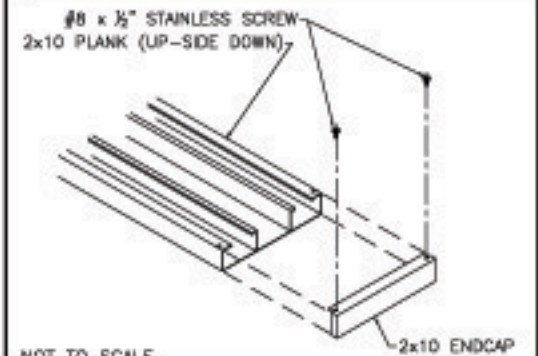
SEE DETAILS 3 & 4 FOR ANCHORING OPTIONS

TYP 2x10 PLANK ATTACHMENT



NOT TO SCALE

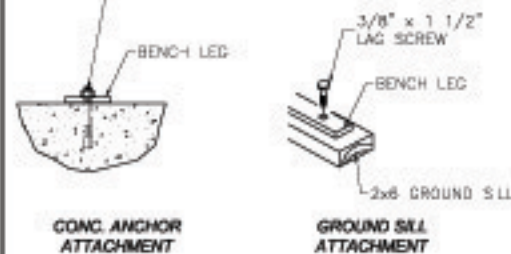
TYP 2x10 ENDCAP ATTACHMENT



NOT TO SCALE

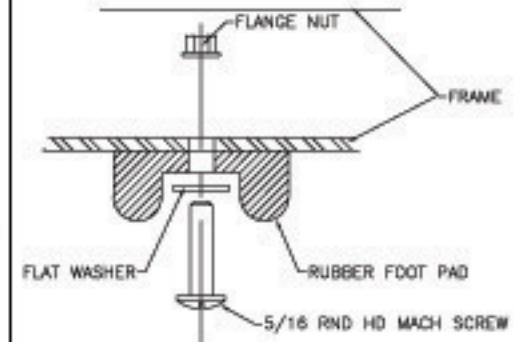
TYP ANCHORING DETAIL

ATTACH USING 3/8" x 2 3/4" CONCRETE ANCHOR, 1 1/2" MIN. EMBEDMENT.



NOT TO SCALE

RUBBER FOOT PAD ATTACH. DETAIL



builtriteBLEACHERS.com
67 Canterbury Ln Southington, CT 06489

SCALE: N.T.S.	APPROVED BY:	DRAWN BY: IMP
DATE: 6/4/12		
TITLE: DG BENCH DIMENSION LAYOUT		
CUSTOMER:		DRAWING NUMBER: BE-PI(DIM)