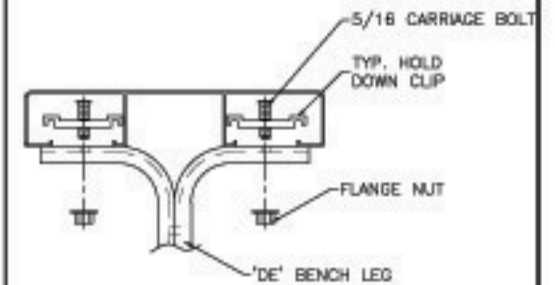


ISOMETRIC OF BENCH ASSEMBLY

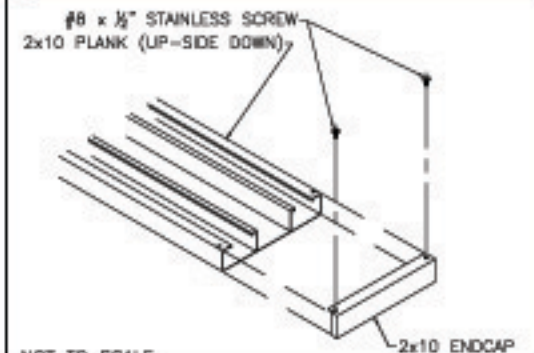
Note: Seal Plank Shown Dotted for Clarity

TYP 2x10 PLANK ATTACHMENT



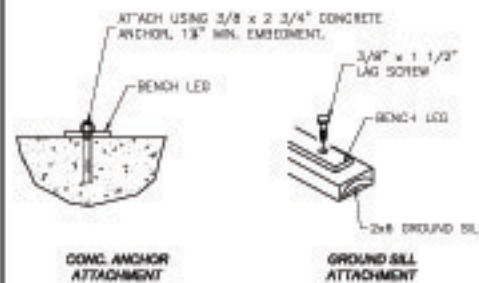
NOT TO SCALE

TYP 2x10 ENDCAP ATTACHMENT



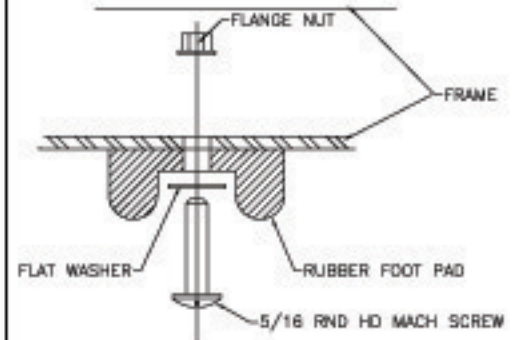
NOT TO SCALE

TYP ANCHORING DETAIL



NOT TO SCALE

RUBBER FOOT PAD ATTACH. DETAIL



builtriteBLEACHERS.com
67 Canterbury Ln Southington, CT 06489

| | | |
|----------------------------------|--------------|----------------------------|
| SCALE: N.T.S. | APPROVED BY: | DRAWN BY: IMP |
| DATE: 6/4/12 | | |
| TITLE: DE BENCH DIMENSION LAYOUT | | |
| CUSTOMER: | | DRAWING NUMBER: BE-PI(DIM) |