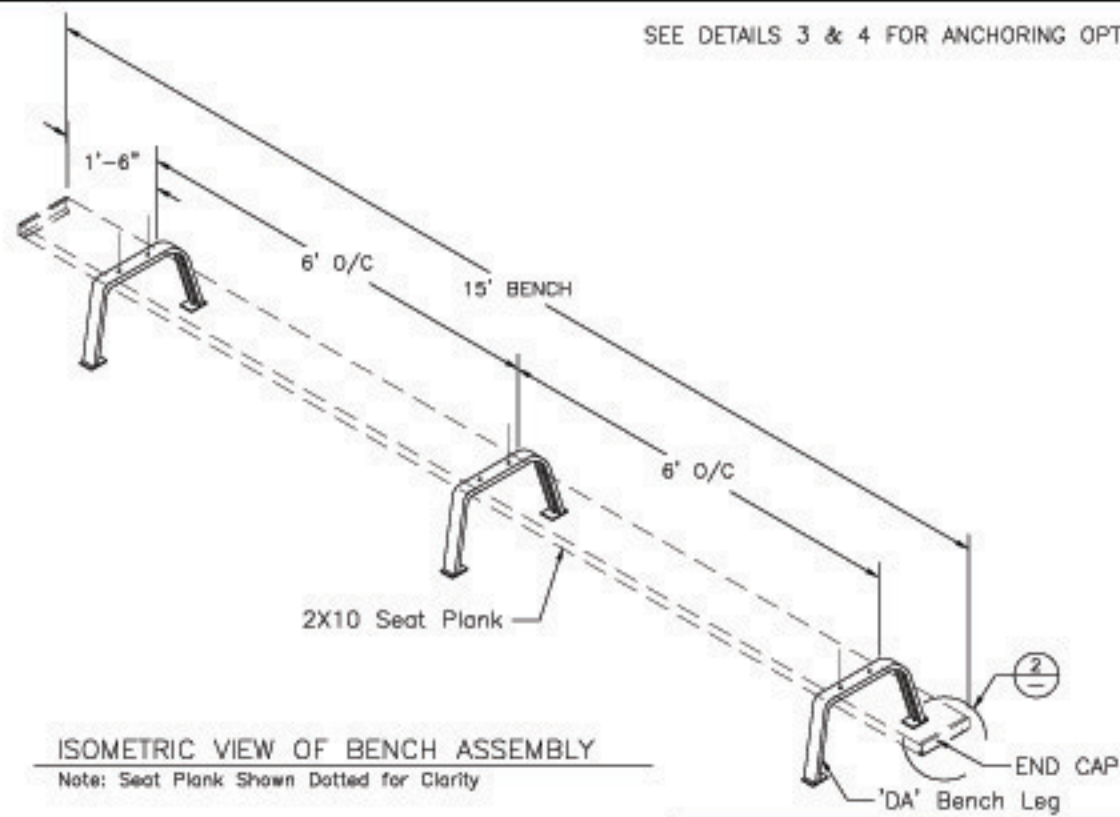
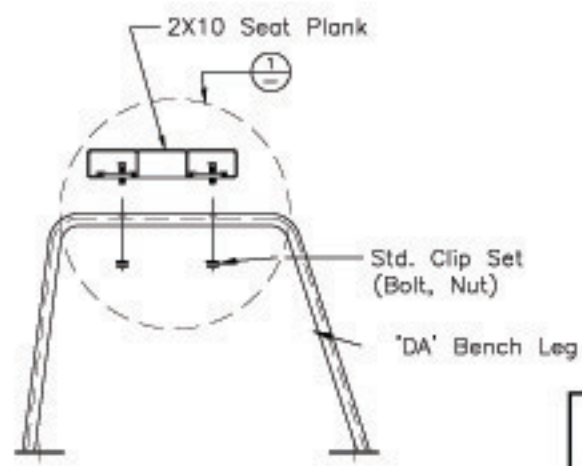


SEE DETAILS 3 & 4 FOR ANCHORING OPTIONS

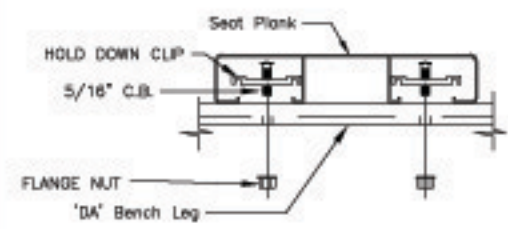


ISOMETRIC VIEW OF BENCH ASSEMBLY  
Note: Seat Plank Shown Dotted for Clarity



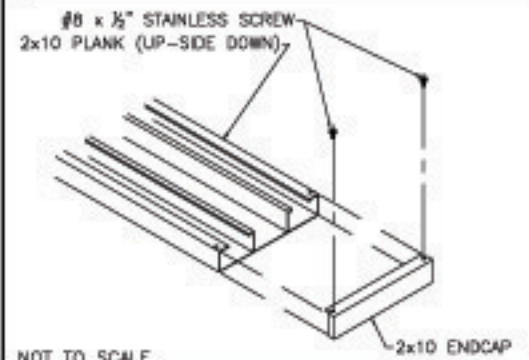
SIDE VIEW OF BENCH ASSEMBLY

TYP 2x10 PLANK ATTACHMENT



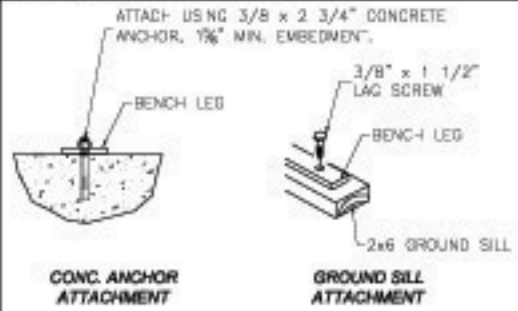
NOT TO SCALE

TYP 2x10 ENDCAP ATTACHMENT



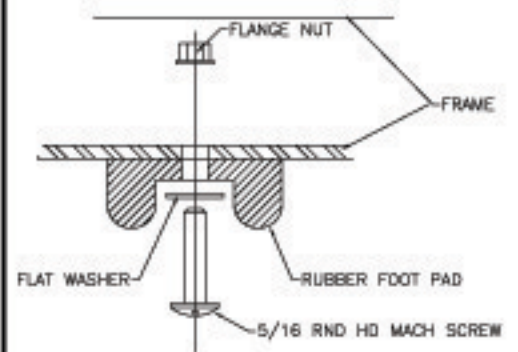
NOT TO SCALE

TYP ANCHORING DETAIL



NOT TO SCALE

RUBBER FOOT PAD ATTACH. DETAIL



**builtriteBLEACHERS.com**  
67 Canterbury Ln Southington, CT 06489

SCALE: N.T.S.	APPROVED BY:	DRAWN BY: IMP
DATE: 6/4/12		
TITLE: DA BENCH DIMENSION LAYOUT		
CUSTOMER:	DRAWING NUMBER: 06-01(DIM)	