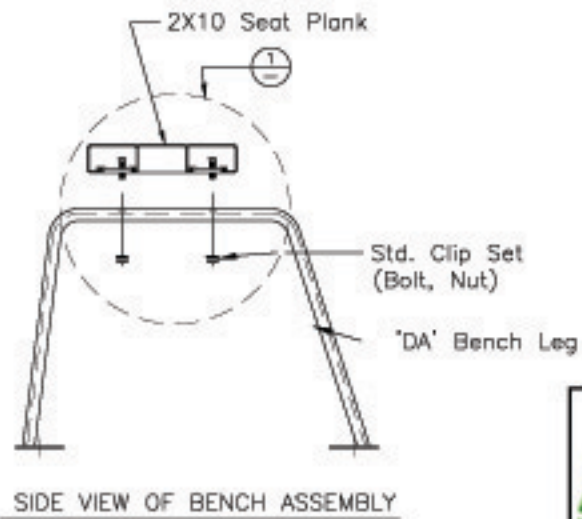
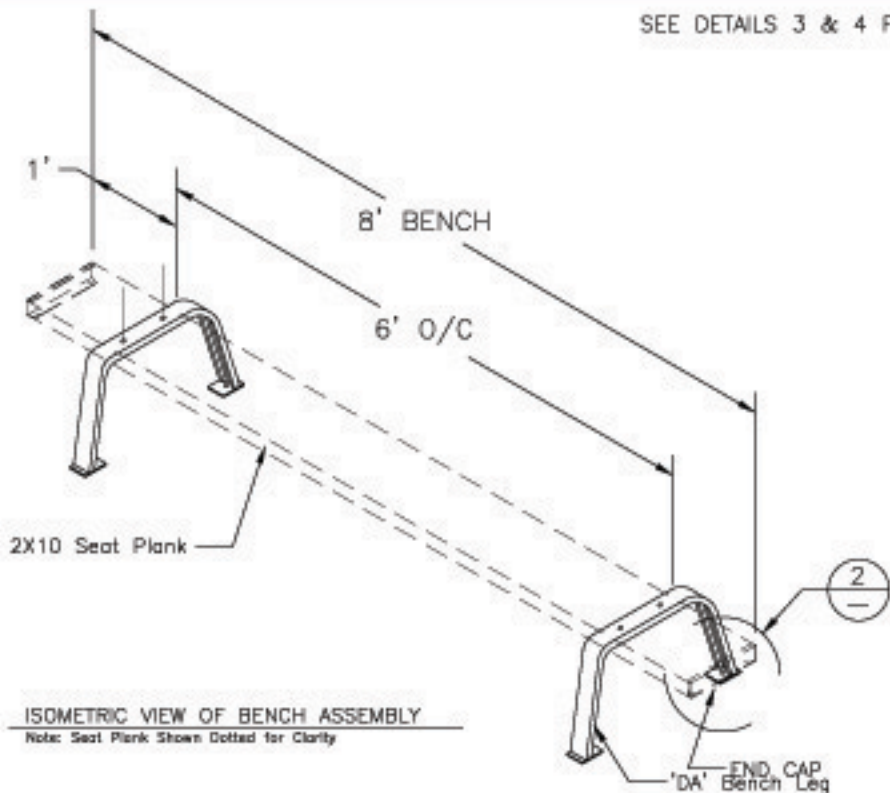
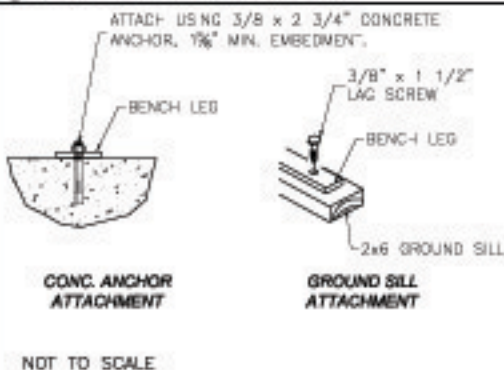


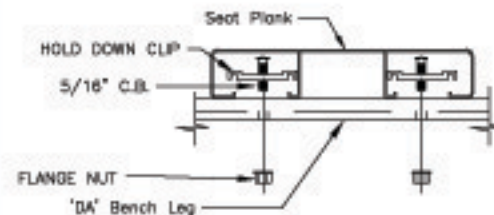
SEE DETAILS 3 & 4 FOR ANCHORING OPTIONS



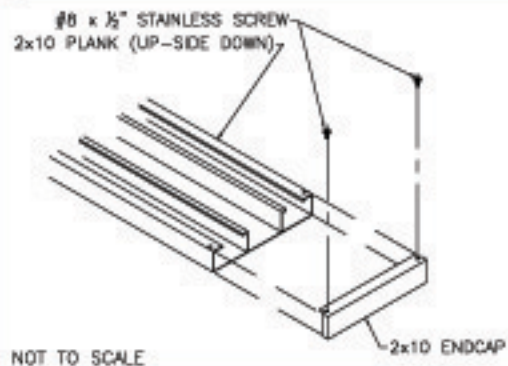
3 TYP ANCHORING DETAIL



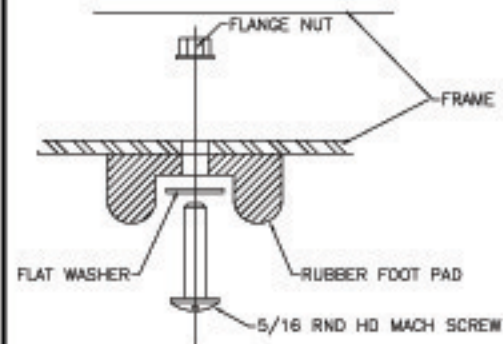
1 TYP 2x10 PLANK ATTACHMENT



2 TYP 2x10 ENDCAP ATTACHMENT



4 RUBBER FOOT PAD ATTACH. DETAIL



builtriteBLEACHERS.com
67 Canterbury Ln Southington, CT 06489

SCALE: N.T.S.	APPROVED BY:	DRAWN BY: IMP
DATE: 6/4/12		
TITLE: DA BENCH DIMENSION LAYOUT		
CUSTOMER:		DRAWING NUMBER: 06-01(DIM)