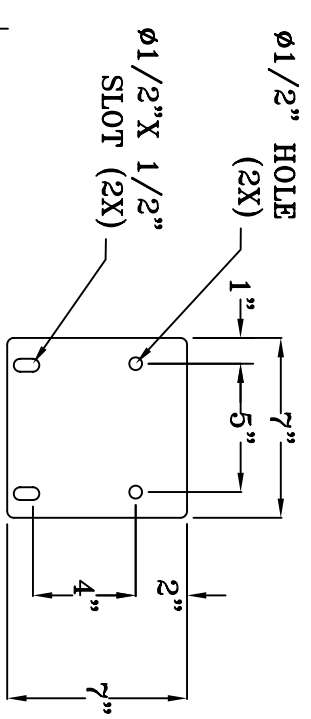
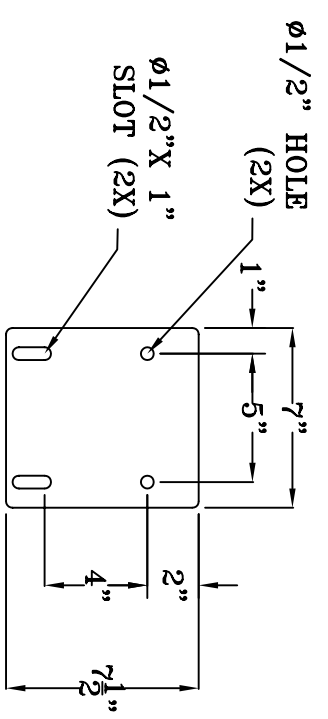
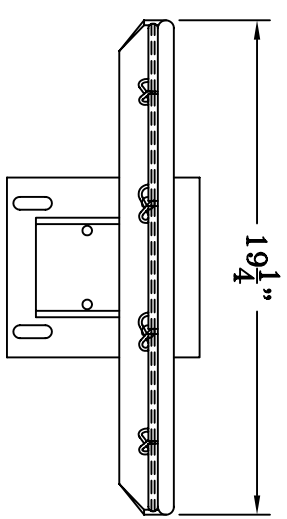
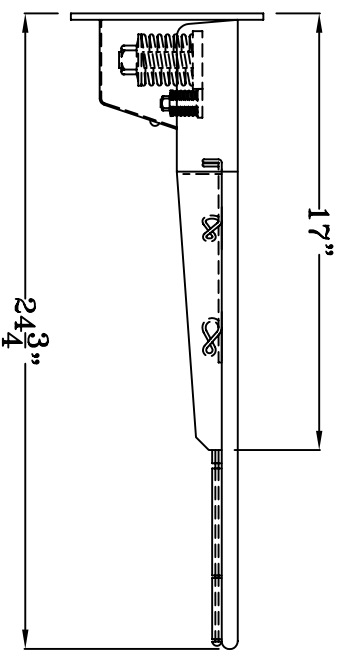
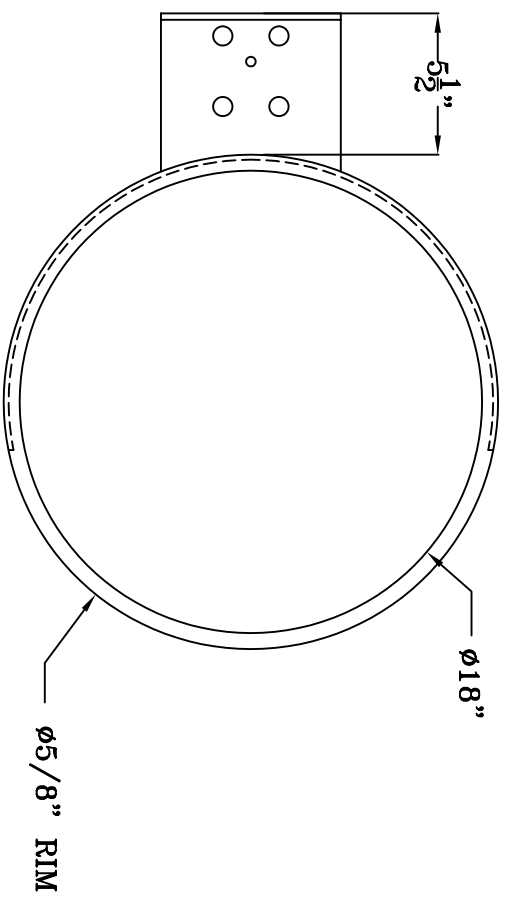


# **SPALDING®**

**Slam-Dunk Precision 180 Goal  
Model # 413-577**



**SLAM DUNK**  
**PRECISION 180**

DO NOT SCALE MODEL #S 0413577, 0413574 (SHORT BOARD)



# SPALDING SPECIFICATIONS

DATE: 01/01/06

**MODEL NUMBER:** 0413577

**DESCRIPTION:** SLAM-DUNK PRECISION 180

## **SPECIFICATIONS:**

Competition rim with unique breakaway action.

The spring pivot mechanism enables breakaway action along a 180 degrees of the rings diameter.

Factory calibrated to meet collegiate and professional recommendations for rebound elasticity.

Goal shall be electrostatically powder coated orange.

Contains easy glide net tie system.

Includes anti-whip net and mounting hardware.

Goal shall have a 5" x 5" standard mounting pattern for attachment to any 48" x 72" backboard.

Recommended for collegiate play.

The breakaway mechanism and ring shall have a seven-year warranty. Warranty not offered on breakaway goals placed outdoors, or if used in a way not intended.

U.S. patent No. 5,716,294

Shipping weight: 34 lbs.