

EZ Fold Motorized Height Adjuster

Electric 8'-10' Height Adjuster
for Basketball Backboards

by DRAPER

Specifications—Direct Mount 8'-10' Motorized Height Adjuster

For electric 8'-10' height adjustment for rectangular or fan shaped backboards and goals, featuring a direct goal attachment, specify (503093/503095/503096/503097/503098/503099). The motorized height adjuster is designed to mount to virtually any style of backstop structure. All Draper backboards have a Lifetime Limited Warranty when used with the motorized height adjuster. Height adjuster includes a self-adhesive height scale that is graduated in 1" increments and labeled at 6" intervals. Height scale applied after installation to insure accuracy.

The motorized height adjuster is built with a main frame-assembly constructed of 2" x 2½" x ¼" steel angle and ¼" thick flat steel. Slip tubes consist of 2⅝" O.D. outer tubes and 2¼" O.D. inner tubes. The motorized height adjuster frame assembly is jig welded and factory assembled to ensure precise alignment and smooth operation. The motorized height adjuster is electrically operated via a 110-120-volt single-phase linear actuator with a 25% duty cycle. Electric linear actuator provides smooth reversible motion for loads up to 600 lbs. Linear actuator includes cam style limit switches that will allow 24" of travel. The Direct Mount 8'-10' Motorized Height Adjuster is available with standard key switch, EZ Power wireless remote or EZ Stick power wand operation.

Height adjuster features adjustable nylon guide bolts to allow user to minimize movement between slip tubes.

The motorized height adjuster's linear actuator assembly is bolted in place and easily removed for conversion to manual operation.

503093—For motorized 8'-10' height adjustment of rectangular bank.

503095—For motorized 8'-10' height adjustment of rectangular bank with wireless remote control.

503096—For motorized 8'-10' height adjustment of rectangular bank with EZ Stick Power Wand.

503097—For motorized 8'-10' height adjustment of fan bank.

503098—For motorized 8'-10' height adjustment of fan bank with wireless remote control.

503099—For motorized 8'-10' height adjustment of fan bank with EZ Stick Power Wand.

Please Mark Appropriate Selections

Select Backboard Mounting Style

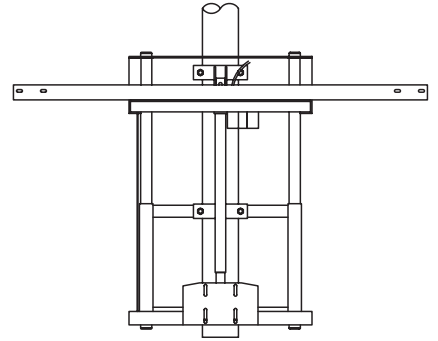
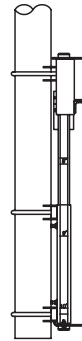
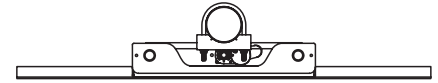
- Fan
 - Glass
 - Fiberglass
 - Aluminum
- Rectangular
 - 42" Glass
 - 42" Wood/Fiberglass
 - 48" Glass
 - 48" Wood/Fiberglass

Select Height Adjuster Mounting Style

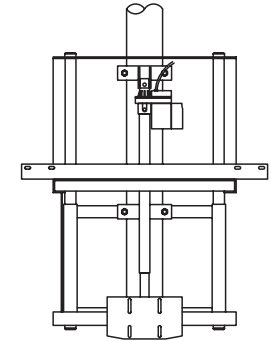
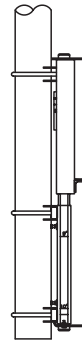
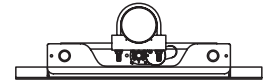
- Mount Height Adjuster on Backstop
 - T-Stem Backstop
 - Wall-Mounted Backstop
 - Double Drop Backstop
- Mount Height Adjuster on Wall

Select Control Options

- Key Switch (standard) How Many? _____
- EZ Power Wireless Remote Control
- EZ Stick Power Wand



Rectangular Bank
Motorized Height Adjuster



Fan Bank
Motorized Height Adjuster

Please Note: 8'-10' unit is shown for mounting to 6" O.D. stem. Unit can be mounted on any style backstop, or to the wall. The goal mounts to the unit through the backboard and into the goal mounting plate, thus placing less strain on the backboard.

DRAPER®

411 S. Pearl St., Spiceland, IN 47385 USA ■ 765-987-7999

www.draperinc.com ■ fax 765-987-7142

Copyright © 2009 Draper Inc. Form EZ-MotorizedHeightAdjuster_Sub09 Printed in U.S.A.

PROJECT: _____

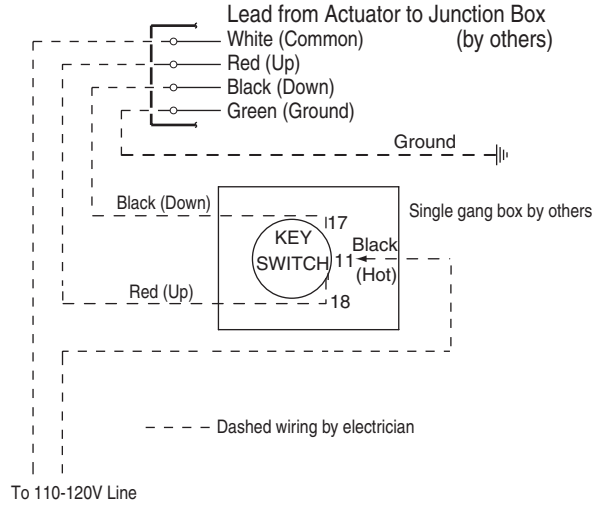
ARCHITECT: _____

CONTRACTOR: _____

SUPPLIER: _____

DATE: _____ REVISED: _____

Wiring Diagram



Circuit breaker rated amp. 20 amp. Fused circuit rated amp. 20 amp.
Minimum Wire Size
90' maximum run..... 12 ga.
90' to 140' run..... 10 ga.
Over 140'..... 8 ga.
Sizes of wall masonry boxes required for single and ganged key switches-- All boxes 2" deep and 4" high.

Key Switch Diagram

