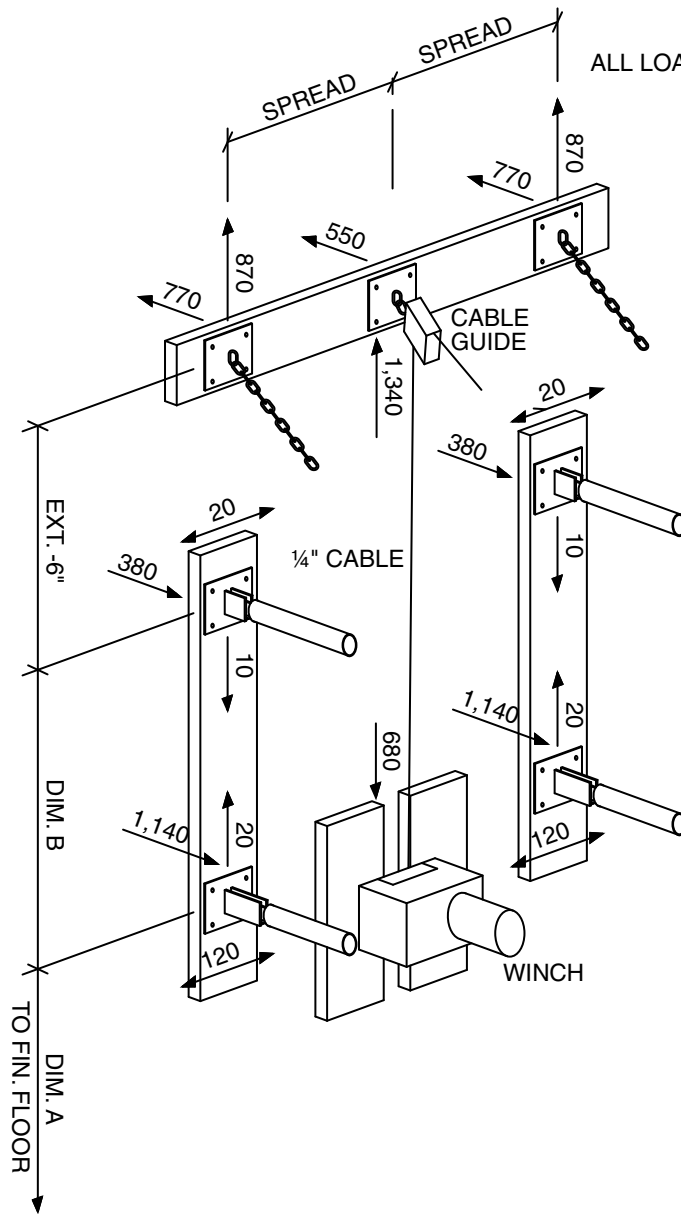


EZ Fold® DUW-08

Basketball Backstop—Wall-Mounted,
Up-Folding Backstop

by DRAPER



ALL LOADS SHOWN ARE IN POUNDS.

LOADS CALCULATED BY:
ARSEE ENGINEERS, INC.
FOR A FULL REPORT,
CONTACT DRAPER, INC.

Arrows indicate direction
from which force is applied.

Style of Bank	Without Height Adjuster			With Height Adjuster		
	Dimension A	Dimension B	Spread	Dimension A	Dimension B	Spread
Fan Aluminum	9'-9 ³ / ₄ "	1'-8"	1'-5 ¹ / ₂ "	9'-11 ¹ / ₂ "	3'-0"	1'-5 ¹ / ₂ "
Fan Fiberglass	10'-1 ³ / ₄ "	1'-8"	1'-5 ¹ / ₂ "	10'-0"	3'-0"	1'-5 ¹ / ₂ "
Fan Glass	10'-1 ¹ / ₂ "	1'-8"	1'-5 ¹ / ₂ "	9'-11 ³ / ₄ "	3'-0"	1'-5 ¹ / ₂ "
72" x 42" Rectangular Fiberglass	9'-9"	3'-0"	2'-7 ¹ / ₂ "	9'-10 ¹ / ₂ "	3'-0"	1'-5 ¹ / ₂ "
72" x 42" Rectangular Glass	9'-9"	3'-0"	2'-7 ¹ / ₂ "	9'-10 ¹ / ₂ "	3'-0"	1'-5 ¹ / ₂ "
72" x 42" Rectangular Steel	10'-1 ⁷ / ₈ "	1'-8"	1'-5 ¹ / ₂ "	10'-0 ¹ / ₈ "	3'-0"	1'-5 ¹ / ₂ "
72" x 42" Rectangular Wood	9'-9"	3'-0"	2'-7 ¹ / ₂ "	9'-10 ¹ / ₂ "	3'-0"	1'-5 ¹ / ₂ "
72" x 48" Rectangular Fiberglass	9'-3"	3'-6"	2'-7 ¹ / ₂ "	9'-10 ¹ / ₂ "	3'-0"	1'-5 ¹ / ₂ "
72" x 48" Rectangular Glass	9'-3"	3'-6"	2'-7 ¹ / ₂ "	9'-10 ¹ / ₂ "	3'-0"	1'-5 ¹ / ₂ "
72" x 48" Rectangular Steel	10'-1 ⁷ / ₈ "	1'-8"	1'-5 ¹ / ₂ "	10'-0 ¹ / ₈ "	3'-0"	1'-5 ¹ / ₂ "
72" x 48" Rectangular Wood	9'-3"	3'-6"	2'-7 ¹ / ₂ "	9'-10 ¹ / ₂ "	3'-0"	1'-5 ¹ / ₂ "

DRAPER®

411 S. Pearl St., Spiceland, IN 47385 USA ■ 765-987-7999
www.draperinc.com ■ fax 866-637-5611

Copyright © 2011 Draper Inc. Form EZ-DUW-08_PL11 Printed in U.S.A.