

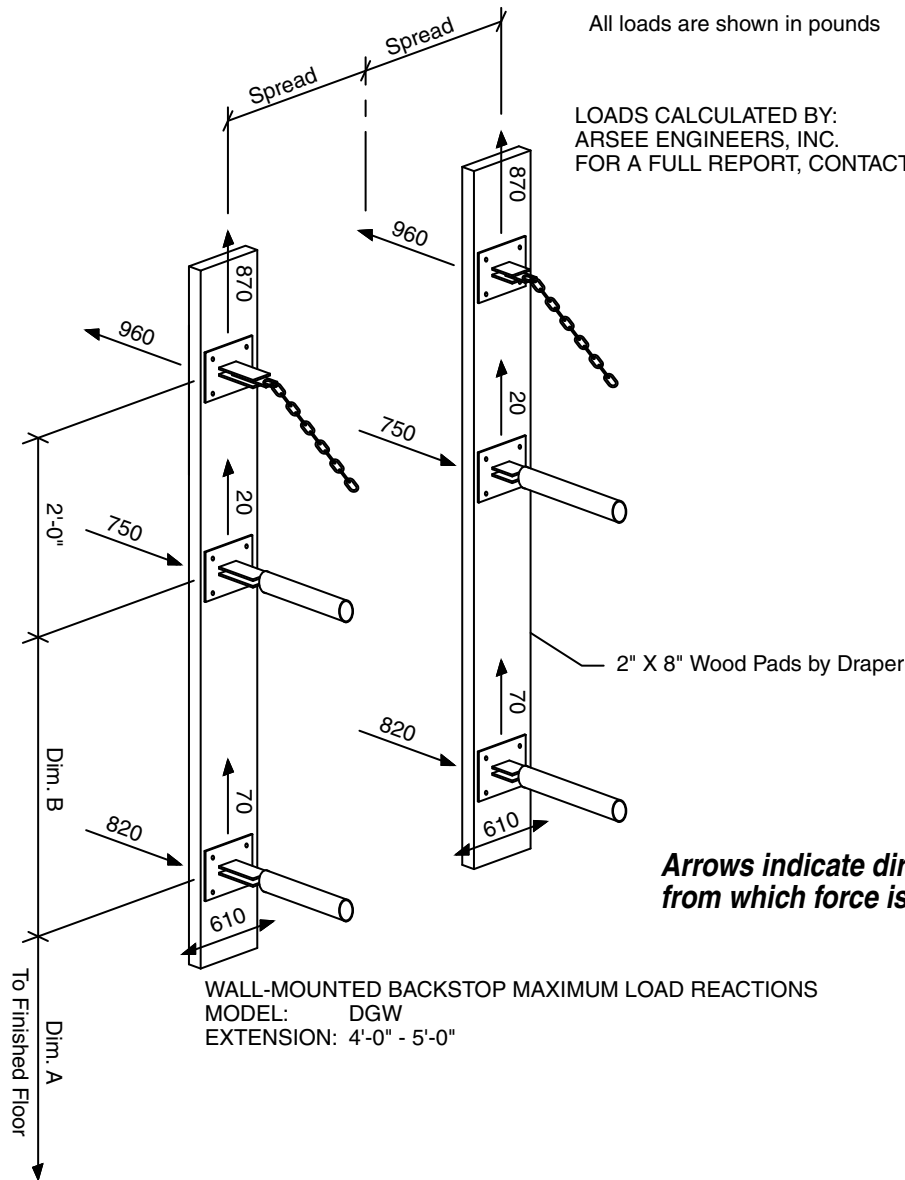
EZ Fold® DGW-04

Basketball Backstop—Wall-Mounted,
Side-Folding Backstop

by DRAPER

All loads are shown in pounds

LOADS CALCULATED BY:
ARSEE ENGINEERS, INC.
FOR A FULL REPORT, CONTACT DRAPER, INC.



Arrows indicate direction
from which force is applied.

Style of Bank	Without Height Adjuster			With Height Adjuster		
	Dimension A	Dimension B	Spread	Dimension A	Dimension B	Spread
Fan Aluminum	9'-9 $\frac{3}{4}$ "	1'-8"	1'-5 $\frac{1}{2}$ "	9'-11 $\frac{1}{2}$ "	3'-0"	1'-5 $\frac{1}{2}$ "
Fan Fiberglass	10'-1 $\frac{3}{4}$ "	1'-8"	1'-5 $\frac{1}{2}$ "	10'-0"	3'-0"	1'-5 $\frac{1}{2}$ "
Fan Glass	10'-1 $\frac{1}{2}$ "	1'-8"	1'-5 $\frac{1}{2}$ "	9'-11 $\frac{3}{4}$ "	3'-0"	1'-5 $\frac{1}{2}$ "
72" x 42" Rectangular Fiberglass	9'-9"	3'-0"	2'-7 $\frac{1}{2}$ "	9'-10 $\frac{1}{2}$ "	3'-0"	1'-5 $\frac{1}{2}$ "
72" x 42" Rectangular Glass	9'-9"	3'-0"	2'-7 $\frac{1}{2}$ "	9'-10 $\frac{1}{2}$ "	3'-0"	1'-5 $\frac{1}{2}$ "
72" x 42" Rectangular Steel	10'-1 $\frac{7}{8}$ "	1'-8"	1'-5 $\frac{1}{2}$ "	10'-0' $\frac{1}{8}$ "	3'-0"	1'-5 $\frac{1}{2}$ "
72" x 42" Rectangular Wood	9'-9"	3'-0"	2'-7 $\frac{1}{2}$ "	9'-10 $\frac{1}{2}$ "	3'-0"	1'-5 $\frac{1}{2}$ "
72" x 48" Rectangular Fiberglass	9'-3"	3'-6"	2'-7 $\frac{1}{2}$ "	9'-10 $\frac{1}{2}$ "	3'-0"	1'-5 $\frac{1}{2}$ "
72" x 48" Rectangular Glass	9'-3"	3'-6"	2'-7 $\frac{1}{2}$ "	9'-10 $\frac{1}{2}$ "	3'-0"	1'-5 $\frac{1}{2}$ "
72" x 48" Rectangular Steel	10'-1 $\frac{7}{8}$ "	1'-8"	1'-5 $\frac{1}{2}$ "	10'-0' $\frac{1}{8}$ "	3'-0"	1'-5 $\frac{1}{2}$ "
72" x 48" Rectangular Wood	9'-3"	3'-6"	2'-7 $\frac{1}{2}$ "	9'-10 $\frac{1}{2}$ "	3'-0"	1'-5 $\frac{1}{2}$ "

DRAPER®

411 S. Pearl St., Spiceland, IN 47385 USA ■ 765-987-7999
www.draperinc.com ■ fax 866-637-5611

Copyright © 2011 Draper Inc. Form EZ-DGW-04_PL11 Printed in U.S.A.