

# Installation Instructions

## PVS-01 Power Volleyball System by Draper

### Caution

- ① Overtightening top cable can damage equipment and possibly cause injury.
- ② The center of the net will sag slightly. This is natural. Do not try to compensate by over-tightening top cable. (See "Net Height" information below.)
- ③ Make sure proper parts and accessories have been shipped. Do not attempt to install any accessories that are not recommended for your Power Volleyball System.
- ④ Do not attempt to operate the winch by using an electric drill; hand crank only.

*These instructions are meant as a guide only. They do not imply any responsibility on the part of Draper, Inc. for improper installation or faulty workmanship at the jobsite.*

- ① Slide winch assembly onto one 3 1/2" O.D. bottom tube. Locate approximately 23" from end with holes, and tighten set screws with allen wrench (see Fig. 1).

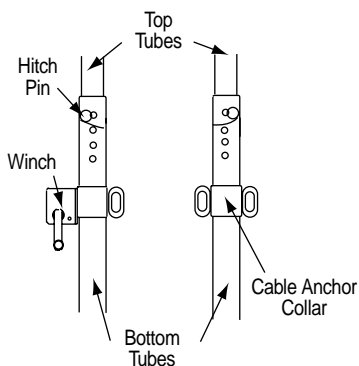


Figure 1

- ② Slide cable anchor collar onto the other 3 1/2" O.D. bottom tube. Locate approximately 23" from end with holes, and tighten set screws with allen wrench (see Fig. 1).
- ③ Install sheaves in top post sheave assemblies with 1/2"-13 x 2" carriage bolts and fiber lock nuts (see Fig. 2).

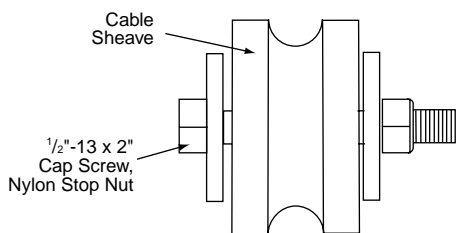


Figure 2  
(Top View)

- ④ Install standards in floor sleeves.
- ⑤ Set top post at net height by removing hitch pin and resetting hitch pin at required height. NOTE: Proper height is stamped on side of post.
- ⑥ Measure distance from finished floor to top of sheave. This dimension should be 3/4" (2 cm) higher than required net height. If necessary, remove standard from sleeve and adjust rubber bumper until desired height is reached.

- ⑦ Unroll net on floor between standards.
- ⑧ Unspool the 2" nylon strap from winch. Hook one end of the top net cable in hook on belt. Hook opposite end of top net cable to cable anchor collar on the other standard (see Fig. 3).

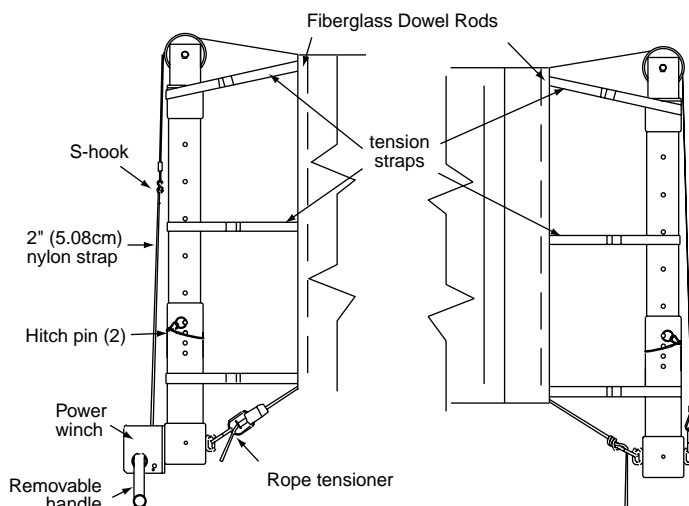


Figure 3

NOTE: Make sure the cable is running cleanly through sheaves.

- ⑨ Tighten net by turning winch handle clockwise. Measure distance from top of net to finished floor at the center of the net.
- ⑩ Install 1/2" fiberglass rods in ends of net (see Fig. 3).
- ⑪ Wrap net straps once around standards and tighten using buckles (see Fig. 3).
- ⑫ Install tensioner to winch end of net rope by inserting rope through beveled end of tensioner. Attach one side of S-hook to tensioner handle, and the other side of S-hook to the cable anchor collar hook (see Fig. 3). Tighten by pulling on rope while holding tensioner.

NOTE: Winch incorporates a clutch gear type mechanism. To loosen top cable, turn winch nut counterclockwise.

### Net Height

Regulation net heights are measured and set at the center of the net. The ends of the net cannot exceed regulation height by more than 3/4" (2 cm), which allows for natural net sag.

Below are official net heights recommended by USA Volleyball:

Age Groups	Girls	Boys
10-under	6'0" (1.83 M)	6'0" (1.83 M)
12-under	6'6" (1.98 M)	6'6" (1.98 M)
14-under	7'4 1/8" (2.24 M)	7'4 1/8" (2.43 M)
16-under	7'4 1/8" (2.24 M)*	7'11 5/8" (2.43 M)*
18-under	7'4 1/8" (2.24 M)*	7'11 5/8" (2.32 M)*

\*Official net heights for High School, Collegiate and International Competition.  
(Continued on back)

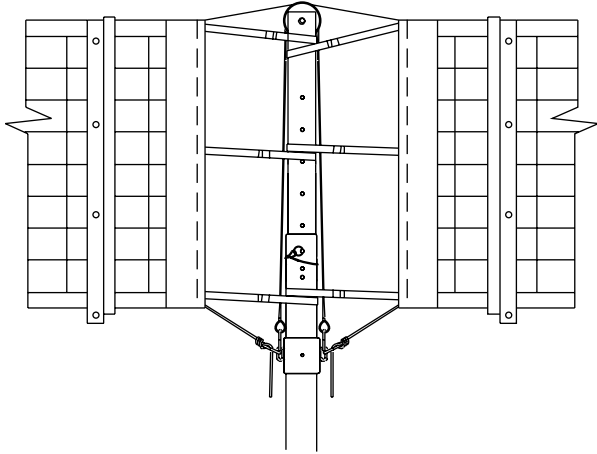
# DRAPER

## Options

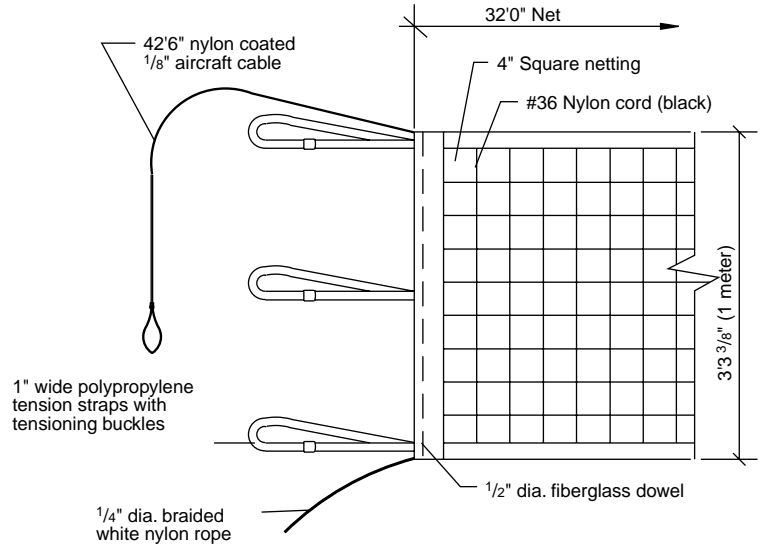
(Typ. installation details)

### Center Standard For two court set-up

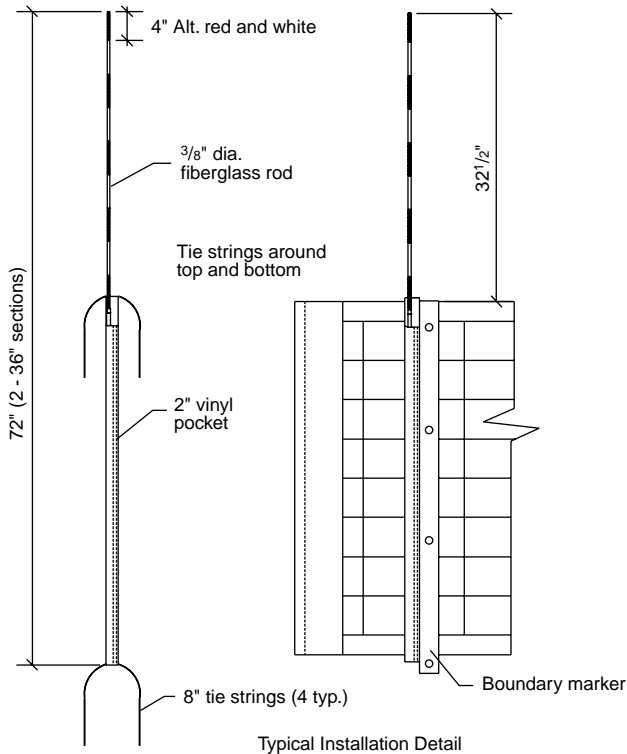
NOTE: Follow standard installation steps listed on the previous page.



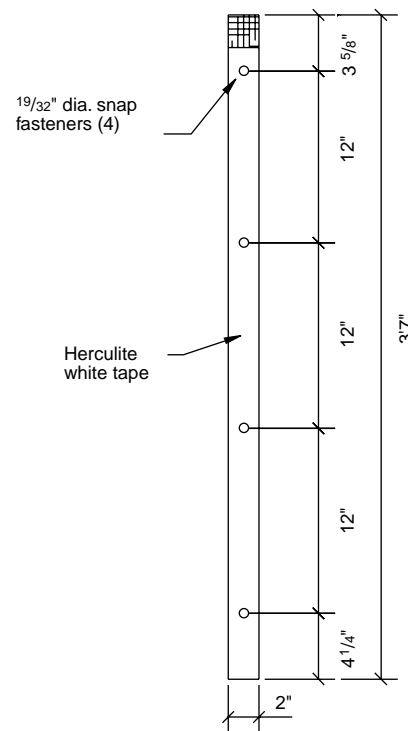
### Power Volleyball Net



### Antenna



### Boundary Marker



If you encounter any difficulties installing or servicing your Power Volleyball System, call your dealer or Draper, Inc., Spiceland, Ind., (765) 987-7999, fax (765) 987-7142, or e-mail draper@draperinc.com.