

EZ Fold® 503140

Official 72" x 42" Rectangular
Wood Basketball Backboard by



Specifications—EZ Fold 503140

Official 72" x 42" Rectangular Wood
Basketball Backboard

Product Description

503140 Backboard shall be official size 72" x 42" x 1⁹/₁₆" in thickness.

Backboard of a 1¹/₂" thick solid core 55 lb./c.f. density industrial grade particleboard, complying with ANSI/A208.1-1979 Type 1, Grade 1-M-3. Front and back faces of backboard have 1/32" thick layer of white melamine and/or phenolic resin impregnated alpha cellulose and kraft papers thermally fused under intense heat and pressure which shall be fused to particleboard core to produce a smooth satin finish.

Edges of backboard shaped on four sides and corners to a 3/16" radius and sealed with a durable white lacquer finish.

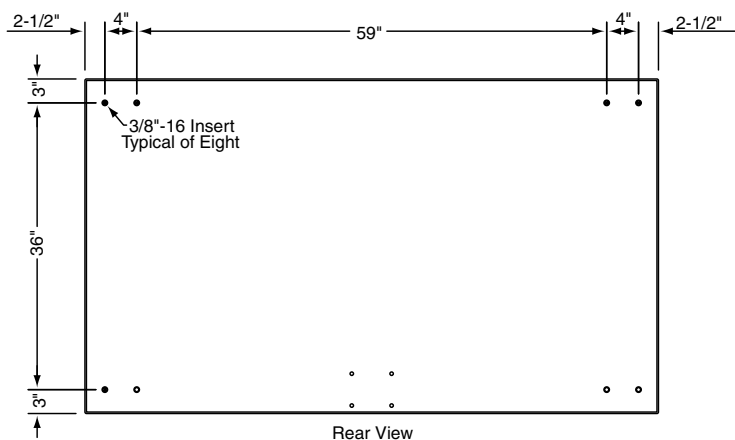
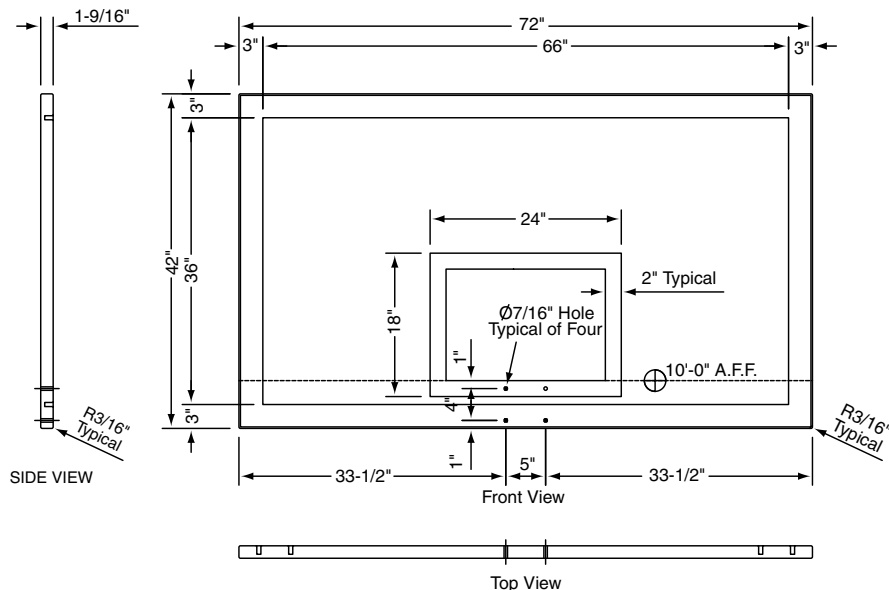
Face of backboard shall have official orange perimeter and target area markings applied as an integral part of the melamine surface. Backboard supplied with eight (8) factory installed 3/8"-16 x 1" deep threaded inserts at standard locations to allow mounting to most standard indoor ceiling or wall suspended backstop structures. Factory drilled goal mounting holes (4) shall be standard 5" (horizontal) x 4" (vertical) mounting centers.

Warranty

Backboard covered by a 10-Year Limited Warranty when installed on a support structure with four corner mounting or a Limited Lifetime Warranty when installed on a Draper EZ Fold basketball backstop with Goal Brace or Direct Mount Height Adjuster. Contact Draper to request full warranty text.

Optional 503264 Backboard Safety Padding

Padding to protect bottom and 15" up each side of the backboard to meet all NCAA, NFHS and professional requirements. Padding of a durable neutral gray, open cell foam material providing full 2" thickness from the bottom and sides of backboard frame. Front and back surfaces of backboard frame shall be further protected by a 1" thick lip extending 3/4" up from bottom and sides of backboard. Padding shall be permanently secured to the backboard frame by an easily applied high strength glue. Glue and brush provided.



LEED® Submittal Information

Credit	Measure	
MRc4 – Recycled Content	Post Consumer Average 90.1%	Post Industrial 7.3%
MRc5 – Regional Materials	Extraction/Harvest – Bennettsville, SC 29512 Final Manufacturing - Spiceland, IN 47385.	
EQ4.4 Composite Wood and Agrifiber Products	Urea Formaldehyde Free	



67 Canterbury Lane, Southington, CT 06489 Tel. 866-892-7277
Fax 775-822-1858 email: basketballgoals@aol.com
web site : www.Basketball-Goals.com

PROJECT: _____

ARCHITECT: _____

CONTRACTOR: _____

SUPPLIER: _____

DATE: _____ REVISED: _____