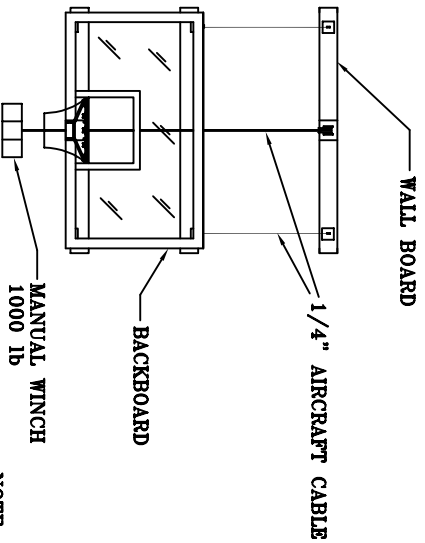
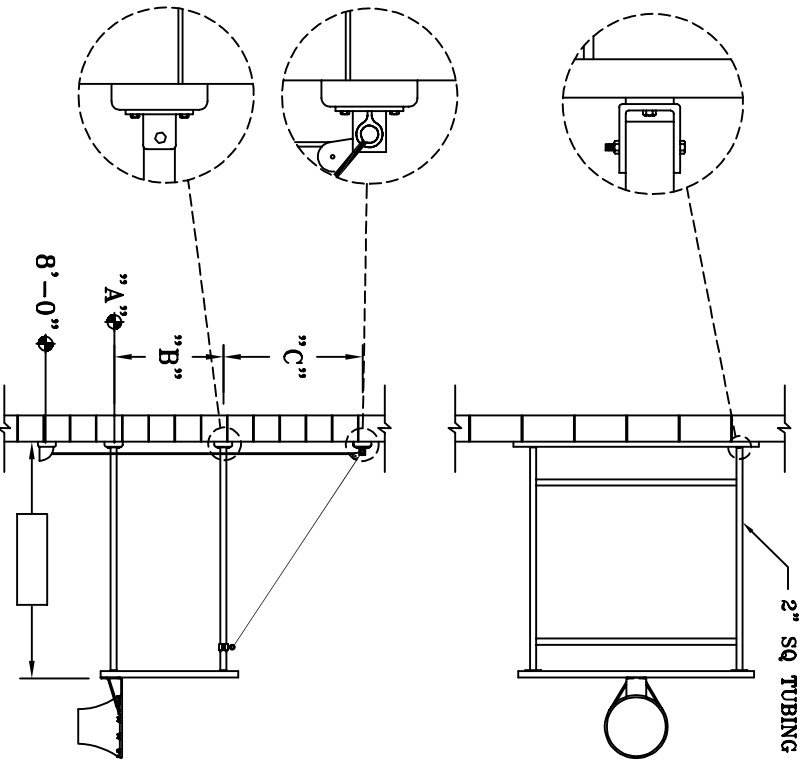


# **SPALDING®**

**Wall-Braced Backstop  
Fold-up  
302-700 Series**



EXTENSION LENGTH (WALL TO FACE OF BACKBOARD)	DIMENSION "C"
4'-0"	3'-0" ± 6"
6'-0"	5'-0" ± 6"
8'-0"	7'-0" ± 6"
10'-0"	9'-0" ± 6"
12'-0"	11'-0" ± 6"

BACKBOARD	DIMENSION "B"	DIMENSION "A" TO FINISHED FLOOR
FAN	20"	10'-2" ± 1/4"
RECT (3-1/2' X 6')	36" ± 1/2"	9'-9" ± 1/2"
RECT (4' X 6')	42" ± 1/2"	9'-3" ± 1/2"

NOTE: EXACT MOUNTING HEIGHTS WILL BE PROVIDED ON INSTALLATION DRAWINGS SENT WITH ORDER. THIS CHART HAS BEEN DESIGNED TO PROVIDE APPROXIMATE DIMENSIONS FOR ATTACHMENT OF WALL BOARDS, SO THAT THE CUSTOMER MAY DETERMINE IF THERE IS SUFFICIENT WALL HEIGHT AND WHERE ADDITIONAL WALL SUPPORT MAY NEED TO BE PROVIDED.

# SPALDING®

**WF5001 WALL-BRACED**

**FOLD UP**

DO NOT SCALE

SCG 0302712

# SPALDING SPECIFICATIONS

DATE: 01/01/06

**MODEL NUMBER:** 302700 Series

**DESCRIPTION:** Wall-Braced Backstop - Fold-Up

## **SPECIFICATIONS:**

The wall-braced fold-up backstops shall have four (4) 2" SQ. structural steel tubing extensions. The pipe shall be braced, when necessary, with precision die-cut saddle-welded 2" SQ. structural steel tubing braces.

The extensions shall end at fabricated steel hinges for attachment to 2" x 6" No.2 stained wood wallboards pre-drilled and with routed edges. The hinges shall be mounted to the wood wallboards with hardware such that the wood will not be counter-bored. An attachment system that requires the wood to be counter-bored will not be approved as equal.

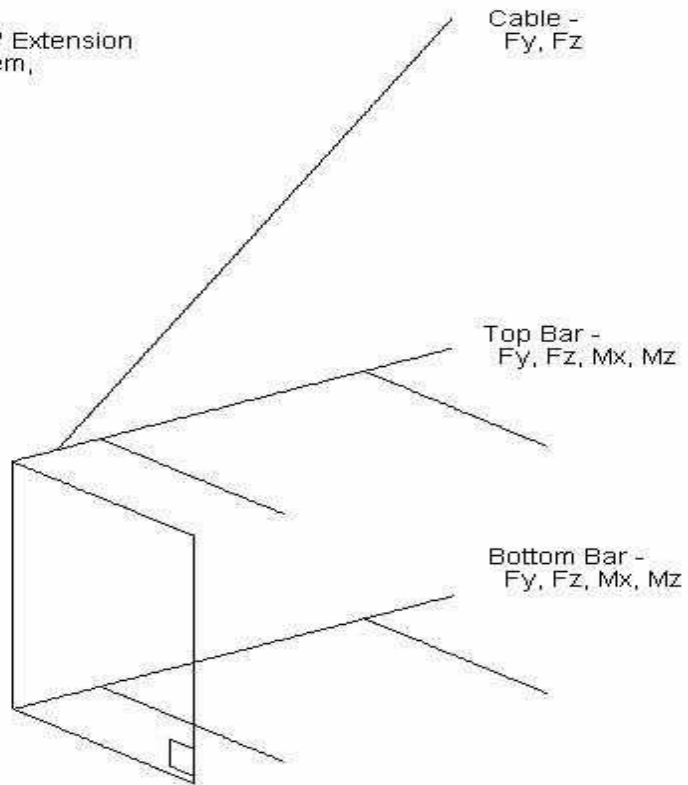
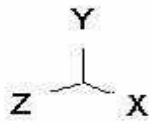
Pipe extensions shall be supported by 1/4" aircraft cable extending diagonally from the wall to the upper extension pipes. The cable shall be attached to the extension pipes (saddle eyebolt weldment) using two cable clamps per attachment. The use of eyebolts and/or turnbuckles shall not be approved as equal.

The backstop is raised by means of a fully enclosed safety worm gear manual 1000 lb. winch. Operation by an electric winch is available as an option.

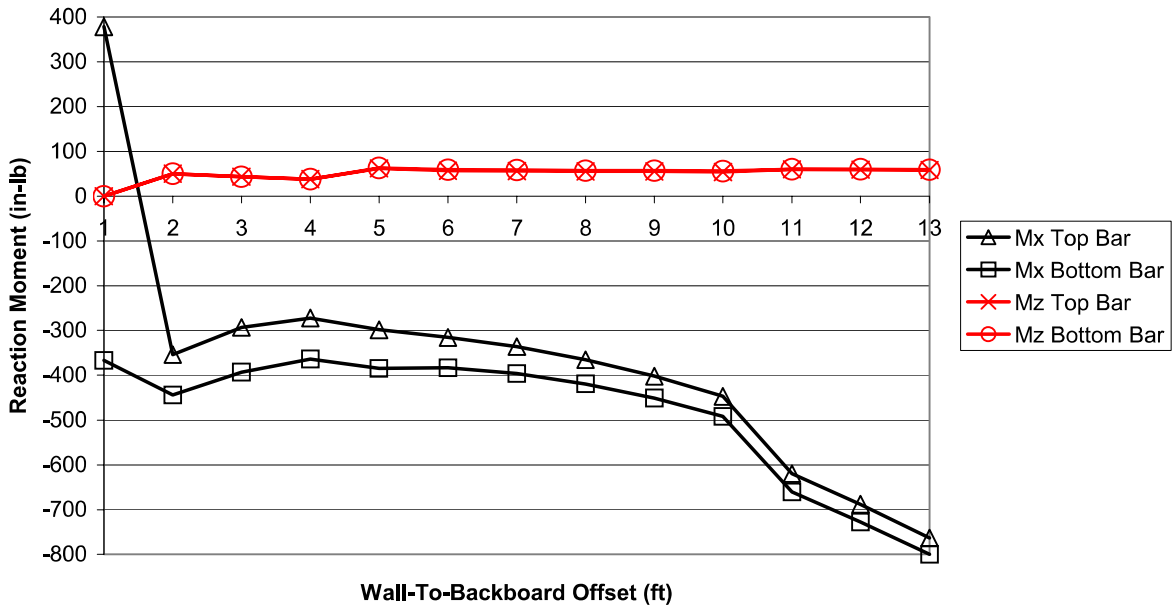
The hoisting is done by a 1/4" aircraft cable running through a 3-1/2" diameter deep groove bronze bushed cable pulley which is located on the upper wallboard.

Pipe extensions and components shall be factory finished with an electrostatically applied powder coat finish with custom colors available.

Reference Model (WB01, 5' Extension  
Showing Coordinate System,  
Reaction Forces, &  
Reaction Moments



### Wall Connection Reaction Moments for Wall-Braced Stationary Backboard Support Systems



### Cable & Wall Connection Reaction Loads for Wall-Braced Stationary Backboard Support Systems

