

the

HURRICANE

PORTABLE BASKETBALL SYSTEM



First Team

• Rim height adjustable for smaller players



• HEIGHT ADJUSTABLE - Adjust the rim to lower heights and the HURRICANE is great for little leagues and youth camps.

• PORTABILITY - The HURRICANE rolls easily on 8" non-marking casters and folds into a compact storage position.



HURRICANE TRIUMPH-ST

- Hurricane Portable Base Unit
- Hurricane Base Padding (Any Color)
- FT235 42"x72" Tempered Glass Backboard
- FT196 Full-Tilt Breakaway Goal
- FT72C Backboard Pad (any color)
- Lifetime Superior Warranty
- Approx. Shipping Weight: 1500 lbs.

Response
tempered glass

• Bolt-on TuffGuard™ backboard padding

• Upper and Lower boom supports

• Base to backboard extension distance is 96"

• Safety padding covers front, sides and back of base unit

• Compact & Easy to roll



• 5" non-marking foot pads lock unit into position for play



HURRICANE TRIUMPH-FL

- Hurricane Portable Base Unit
- Hurricane Base Padding (Any Color)
- FT235 42"x72" Tempered Glass Backboard
- FT196 Full-Tilt Breakaway Goal
- FT72C Backboard Pad (any color)
- Lifetime Superior Warranty
- Approx. Shipping Weight: 1500 lbs.

FullTilt™
180° Breakaway

• All First Team goals are direct mounted to eliminate backboard breakage when players hang on the rim

The Hurricane competition style portable basketball goal is designed for fieldhouse, gymnasium and upper-end recreational or church use.

The Hurricane's massive extension arm features an upper and lower boom support. The extension distance from base to backboard is 96" meeting all NCAA and National High School Federation requirements. The unit comes equipped with First Team's top of the line FT235 Unbreakable 42"x72"

competition tempered glass backboard, FT196 Full-Tilt™ 180° breakaway goal and FT72C TuffGuard™ bolt-on backboard padding. These are the same components used in high schools and colleges throughout the country.

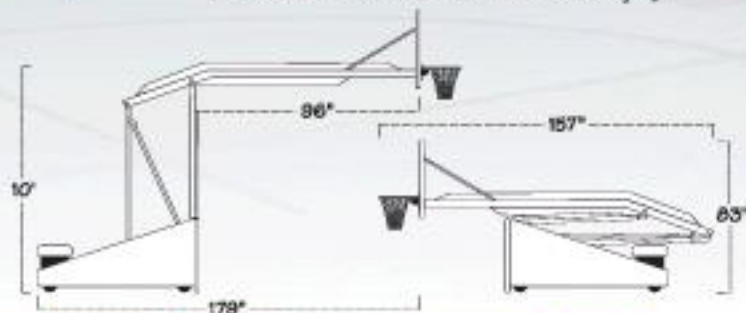
The Hurricane is also height adjustable. Rim height adjustments from 10' down to 6' are made easily with its "Spring-Aided" design. To adjust, simply pull the pin located on the adjustment rod, raise or lower the unit as needed and replace the pin. One person can easily roll the unit into place and set up quickly and easily.

Heavy foam padding, available in an array of colors, protects players on the front, sides and back of the base. The unit is extremely stable as well as durable and will not tip over when players hang on the rim. For additional support, rear hold downs are included as required by the NCAA and NBSF for competition portable goals. Choose the Hurricane Triumph-FL package for installations on floating floors or Hurricane Triumph-ST for all other flooring surfaces.

Floor load on the wheels is: 350 psi
 All Hurricane portable basketball goals are covered by First Team's unmatched Lifetime Superior Warranty!

WARNING!

Failure to install customer supplied ballast according to instructions could result in serious injury.



Hurricane base padding is available in these colors. Shades may vary slightly from color chart.