



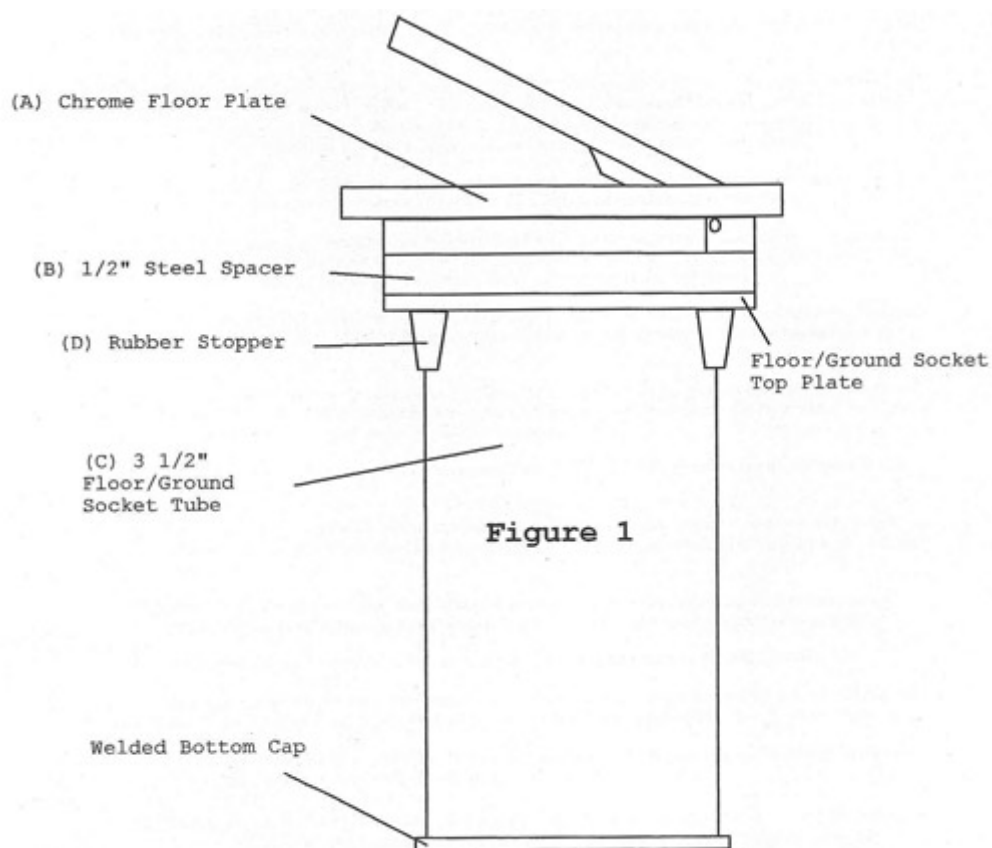
Home | Privacy Policy | Dealer Locator | FAQs | Contact

BASKETBALL

SOCCER

VOLLEYBALL

FT5001 Floor Socket Assembly Instructions



Bill of Materials

A (1) Chrome Floor Plate	F (4) #10 x 1" Flat Head Phillips Wood Screw
B (1) Steel Spacer	G (4) 10-24 x 1" Flat Head Phillips Machine Screw
C (1) 3 1/2" Floor Socket Tube	H (4) 10-24 Hex Nut
D (3) Rubber Stopper	I (4) #10 Lockwasher
E (3) #10 x 2 1/2" Flat Head Phillips Wood Screw	

NOTE: Immediately unpack all components and cross check against bill of materials. Report any shortages to First Team customer service at 1-888-884-6677.

FLOOR/GROUND SOCKET INSTALLATION ON TYPICAL GROUND LEVEL FLOATING

WOOD FLOORS

1. Determine the desired location for the Floor Socket Assembly (see court diagram). Use a pencil to mark the center points. **NOTE: If you are using the sockets for a SOCCER GOAL, you must determine the "center-to-center" dimensions between the soccer uprights in order to determine the proper location for the floor/ground sockets.**
2. Using a compass or similar device draw a 7" circle around the center point in both locations. Cut out this 7" circle clear through the wood floor.
3. Rout a pocket ¼" deep and 9" round (concentric with the 7" hole) so that the Chrome Floor Plate sits flush with the floor. Orient your Chrome Floor Plate so that the hinged lid is to the outside of the playing surface. Make certain that your hinged lid operates without obstruction. Rout out any areas necessary to allow lid to hinge properly. Please use EXTREME caution during this process to avoid sloppy or oversized holes. (see figure 2)
4. Measure the distance from the top of the floor to the concrete surface below. If the distance is greater than 3" call your sales representative for guidance as you will need to make field modifications to your socket.
5. Drill or break out a 6" diameter hole in the concrete either through the concrete or approximately 11" deep into the concrete if the concrete is extra deep. Use of a rotary hammer drill and a chisel or core drill is recommended. Use caution with water cooled coring drills if floor is wood as damage can occur. (see figure 2)
6. If the thickness of the concrete allowed you to go through it, excavate the soil, sand and gravel below the concrete to an approximate diameter of 30". The depth of the hole should be approximately 16" from the top surface of the wood floor. (see figure 2)
7. Assemble Floor Socket as shown in Figure 1. Using (3) #10 x 2 ½" Wood Screw attach Chrome Floor Plate to the ½" Steel Spacer and 3 ½" Floor Socket Tube as shown. Place Rubber Stoppers below the Floor Socket Top Plate and secure by screwing wood screws into Rubber Stoppers as shown.
8. Set the socket/floor plate assembly into the prepared hole to insure that both the socket and the floor plate fit neatly. Rework holes if necessary.
9. Fill the hole in the concrete with premixed, non-shrink grout to within approximately 4" of the top surface of the concrete. Using a pole, vibrate the grout to insure the hole is filled. It is recommended to use a quick cure chemical action mortar.
10. Install socket assembly into hole. You will need to work assembly into hole to allow the grout to surround the socket. If grout does not flow out the top of the hole in the concrete, remove assembly and add more grout.
11. Using a level on the inside of the socket, verify that the socket is perpendicular to the playing surface.
12. After allowing 2 hours for grout to set, remove the (3) #10 x 2 ½" wood screws from the Chrome Floor Plate. Use the (3) 10-24 x 1" Machine Screws, Lockwasher and Hex Nuts to fill the holes where the 2 ½" wood screws were.
13. Loosen and remove the Steel Spacer (B). NOTE: If it has bonded to the grout, it may be necessary to hit the Steel Spacer with a hammer several times to break it loose from the grout.
14. Once again, orient Chrome Floor Plate so that the hinged lid is to the outside of the playing surface. (**Lids rest against outside of volleyball/soccer uprights. See Figure A in your Volleyball Assembly instructions or Figure B in your Soccer Goal installation instructions for more info on floor/ground socket lid orientation**) Attach Chrome Floor Plate to floor using (4) #10 x 1" Wood Screws. It is best to drill a small pilot hole into the wood to avoid cracking the floor.

CAUTION!! CAUTION!! CAUTION!!
DO NOT ALLOW USE OF SOCKETS FOR 10 DAYS AS PERMANENT STRUCTURAL DAMAGE TO THE SOCKET INSTALLATION MAY OCCUR!!

FLOOR/GROUND SOCKET INSTALLATION FOR SYNTHETIC OVER CONCRETE, TILE OVER CONCRETE, OR PLAIN CONCRETE FLOOR

1. Determine the desired location for the Floor Socket Assembly (see court diagram). Use a pencil to mark the center points. **NOTE: If you are using the sockets for a SOCCER GOAL, you must determine the "center-to-center" dimensions between the soccer uprights in order to determine the proper location for the floor/ground sockets.**
2. Using the top of the Chrome Floor Plate and a pencil, draw a 9" circle on the floor at each location.
3. On SYNTHETIC floors use a razor blade knife to accurately cut away the synthetic flooring so that the top of the Chrome Floor Plate fits cleanly in the cutaway hole. On TILE floors it is easier to remove all tiles that are affected being careful not to damage tiles so they can be cut and reinstalled later. On PLAIN CONCRETE floors cut/chisel the concrete to a depth of ¼" so the Chrome Floor Plate sits flush with the top surface of the concrete floor.

4. Drill or break out a 7" diameter hole in the center of both 9" circles. The 7" hole should be cut all the way through the concrete or approximately 11" deep into the concrete if the concrete is extra thick. Use of a rotary hammer drill and concrete chisel or core drill is recommended.
5. If the thickness of the concrete allowed you to go through it, excavate the soil, sand and gravel below the concrete to an approximate diameter of 30". The depth of the hole should be approximately 16" from the top surface of the floor. (see figure 3) **ATTENTION: IF YOU ARE INSTALLING SLEEVES OUTDOORS, MAKE CERTAIN TO DIG HOLE AT LEAST 36" DEEP OR TO YOUR KNOWN FROSTLINE TO PREVENT HEAVING DURING FREEZING WEATHER!**
6. Assemble Floor Socket as shown in Figure 1. Using (3) #10 x 2 1/2" Wood Screw attach Chrome Floor Plate to the 1/2" Steel Spacer and 3 1/2" Floor Socket Tube as shown. Place Rubber Stoppers below the Floor Socket Top Plate and secure by screwing wood screws into Rubber Stoppers as shown.
7. Set the socket/floor plate assembly into the prepared hole to insure that both the socket and the floor plate fit neatly. Rework holes if necessary.
8. Fill the hole in the concrete with premixed, non-shrink grout to within approximately 4" of the top surface of the concrete. Using a pole, vibrate the grout to insure the hole is filled. It is recommended to use a quick cure chemical action mortar.
9. Install socket assembly into hole. You will need to work assembly into hole to allow the grout to surround the socket. If grout does not flow out the top of the hole in the concrete, remove assembly and add more grout. Make sure lids open to the outside of the playing surface. **(Lids rest against outside of volleyball/soccer uprights. See Figure A in your Volleyball Assembly instructions or Figure B in your Soccer Goal installation instructions for more info on floor/ground socket lid orientation)**
10. Using a level on the inside of the socket, verify that the socket is perpendicular to the playing surface.
11. Remove excess grout and clean floor surface
12. After allowing 2 hours for grout to set, using a pencil, mark the (4) Chrome Floor Plate attachment holes located around the outermost perimeter of the Chrome Floor Plate on the concrete below the Plate.
13. Next, remove the (3) #10 x 2 1/2" wood screws from the Chrome Floor Plate.
14. Attach, Chrome Floor Plate to concrete floor using concrete anchors NOT PROVIDED.
15. Next, reattach Chrome Floor Plate to Floor Socket using (3) #10x 2 1/2" wood screws.

CAUTION!! CAUTION!! CAUTION!!
DO NOT ALLOW USE OF SOCKETS FOR 10 DAYS AS PERMANENT STRUCTURAL DAMAGE TO THE SOCKET INSTALLATION MAY OCCUR!!

FLOOR/GROUND SOCKET INSTALLATION FOR PLAIN GROUND/GRASS

1. Determine the desired location for the Floor Socket Assembly (see court diagram). Use a wire flag or stake to mark the center points. **NOTE: If you are using the sockets for a SOCCER GOAL, you must determine the "center-to-center" dimensions between the soccer uprights in order to determine the proper location for the floor/ground sockets.**
2. Using the wire flags/stakes as a center point, dig a 20" diameter hole 36" deep at both socket locations. Bell out the bottom six inches if possible to add stability to the footing.
3. Assemble Floor Socket as shown in Figure 1. Using (3) #10 x 2 1/2" Wood Screw attach Chrome Floor Plate to the 1/2" Steel Spacer and 3 1/2" Floor Socket Tube as shown. Place Rubber Stoppers below the Floor Socket Top Plate and secure by screwing wood screws into Rubber Stoppers as shown. Additionally, attach (4) 10-24 x 1" Flat Head Machine Screw, lockwasher and hex nut into the 4 holes along the outermost perimeter of the chrome cover. All screws should be assembled into cover plate so tapered head "seats" into chrome covers' recessed holes providing a smooth flat top surface.
4. Fill the hole in the concrete with premixed, non-shrink grout. Using a pole, vibrate the grout to insure the hole is filled. It is recommended to use a quick cure chemical action mortar.
5. Install socket assembly into hole until chrome plate is level with your ground playing surface. You will need to work assembly into hole to allow the grout to surround the socket. If grout does not flow out the top of the hole, remove assembly and add more grout. SEE FIGURE 4. Make sure lids open to the outside of the playing surface. **(Lids rest against outside of volleyball/soccer uprights. See Figure A in your Volleyball Assembly instructions or Figure B in your Soccer Goal installation instructions for more info on floor/ground socket lid orientation)**
6. Using a level on the inside of the socket, verify that the socket is perpendicular to the playing surface.

7. Remove excess grout.

CAUTION!! CAUTION!! CAUTION!!
DO NOT ALLOW USE OF SOCKETS FOR 10 DAYS AS PERMANENT STRUCTURAL DAMAGE TO THE SOCKET INSTALLATION MAY OCCUR!!

Figure 2

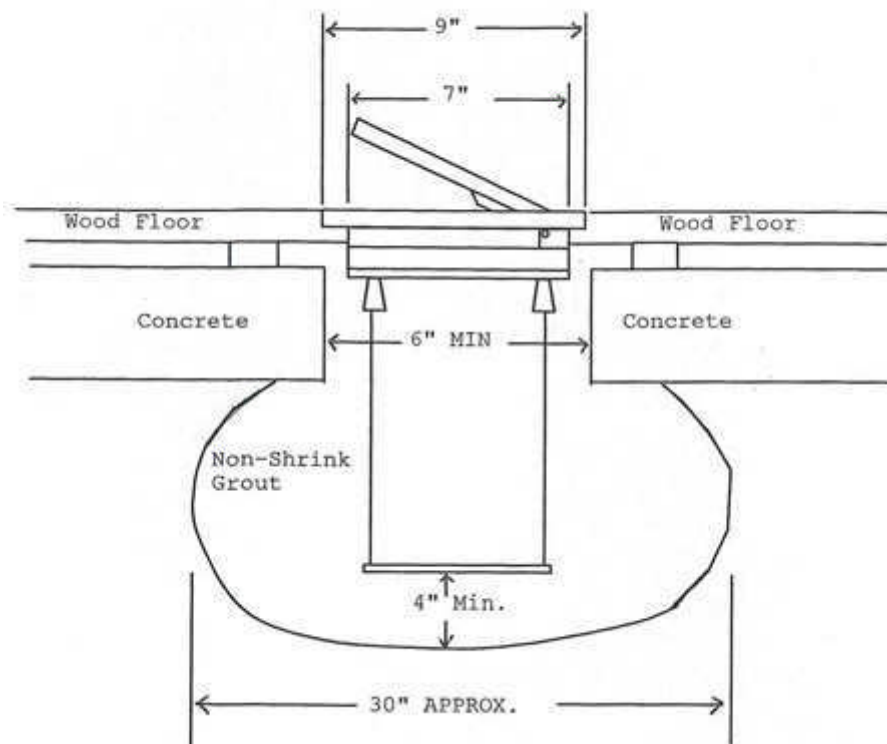


Figure 3

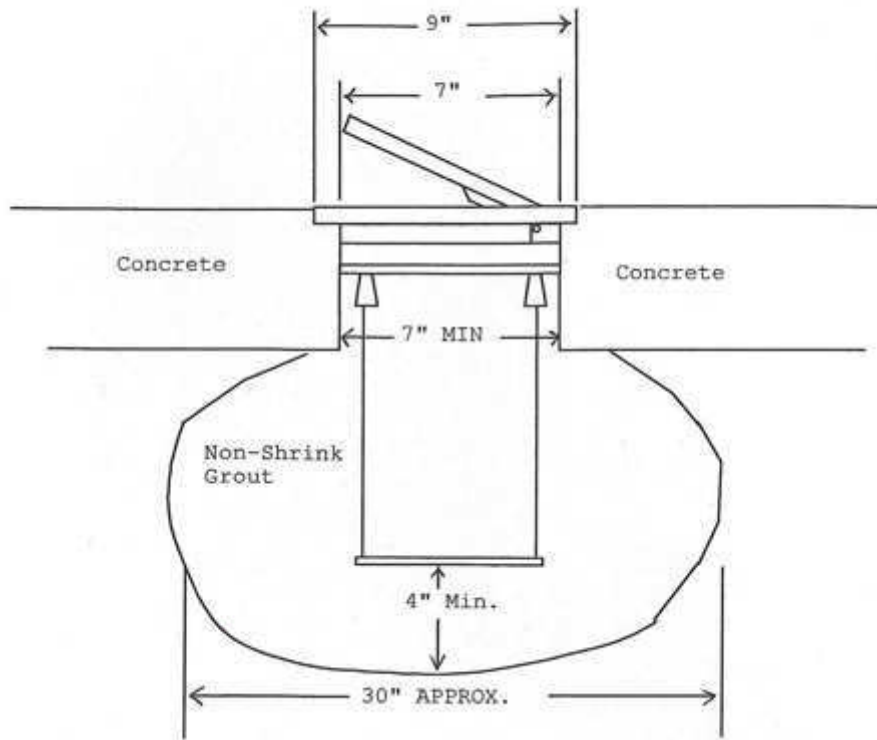


Figure 4

