

SPALDING®

**BPI10000
Model #401-602**

SPALDING SPECIFICATIONS

MODEL NUMBER: 401602

DESCRIPTION: BPI10000 Portable Basketball Backstop

The BPI10000 Portable Backstop is designed for main court competition. One person can easily operate the backstop without hydraulics or electric motors. The standard backstop is equipped with a regulation Guardian Glass Backboard (US Patent No. 4,433,839), Slam-Dunk® 180 Vision Rim (US Patent No. 5,716,294), and backboard and frame padding.

SPECIFICATIONS:

Frame: All pivot points are oil impregnated bronze bearings, no lubrication required. The backstop operates using seven chrome vanadium springs; tension is adjustable for operational ease. The unit has an electro-statically powder coated white finish. (Custom colors are available.) Enamel paint is not acceptable. The backstop contains 2,000 pounds of recycled ballast, which is covered by a steel plate. The boom is constructed of 5" x 5" steel tubing, reinforced upper and lower for stability. The boom extends 10' 8" from the face of the backboard to the front of the padded base. The uprights are made of 3-1/2" square steel tubing configured in an A-Frame design. The backstop has four 6" fixed rear wheels and two 6" front swivel casters. Each wheel has a 1000-pound capacity. The wheels contain 2 rows of ball bearings encased in prelubricated casings. The telescopic brace contains a powder coated outer sleeve and a plated inner sleeve pre-drilled to allow for adjustment heights between 6' to 10', the backboard remains perpendicular with the floor at all locations. The backboard and rim are adjustable at the frame attachment location for non-level playing surfaces. The rubber position pedestals are adjustable to ensure 10' goal elevation. Each unit is equipped with two position pins on the front of the base and an anchor package for the rear. The Automatic Lift Mechanism (patent pending) makes set-up a one step operation.

Frame Padding: The front pads are fitted with 5" thick padding and the sides are fitted with 3" thick padding and covered with 36 ounce Naugahyde®. Padding is available in 300+ colors and is removable. Three-year warranty.

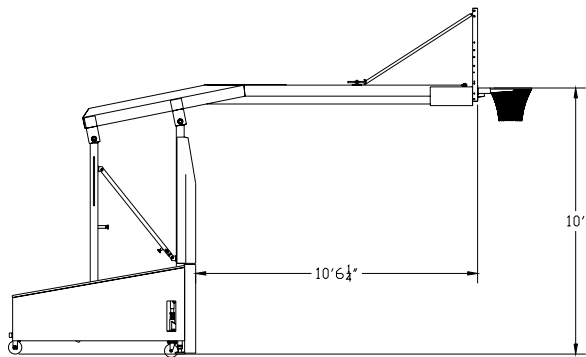
Backboard: Guardian Glass Backboard (US Patent No. 4,433,839) measures 72"x42" and is constructed of 1/2" tempered glass w/2" border and target fired into the back of the glass. Unconditional lifetime warranty.

Goal: Slam-Dunk® 180 Vision Rim (US Patent No. 5,716,294) with 180-degree breakaway action, orange powder coating, and Easy Glide net-tie system. Seven-year warranty.

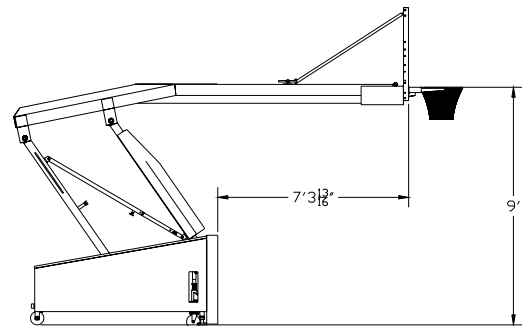
Shipping weight: 3700 lbs.

BPI 10000

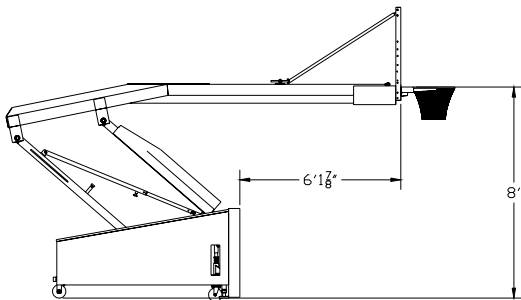
STORAGE AND PLAY CRITICAL DIMENSIONS



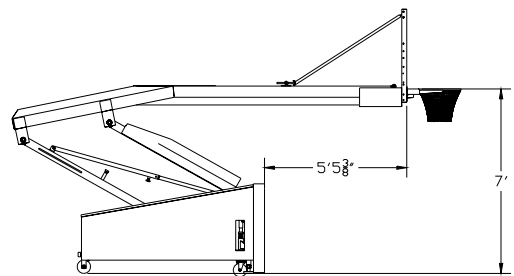
REGULATION HEIGHT



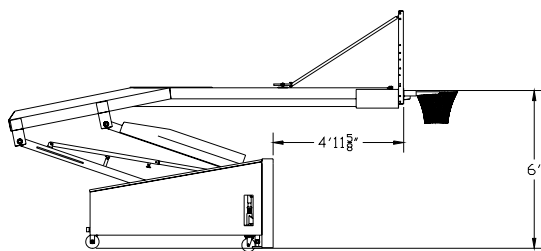
NINE FOOT HEIGHT



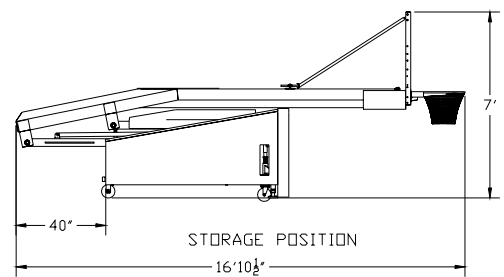
EIGHT FOOT HEIGHT



SEVEN FOOT HEIGHT



SIX FOOT HEIGHT



**RECOMMENDED
REINFORCEMENT
AREA (4X)**

