

# EZ Fold 503086

Manual Winch for use with  
EZ Fold Basketball Backstops

by **DRAPER**

## Manual Winch 503086

### Specifications

Manual Winch 503086, \_\_\_\_\_ required. Max. safe working load shall be 1000 lbs. (454 kg.) vertical lift. 1/4" (6 mm) 7 x 19 aircraft cable (not supplied with winch).

Cable travel shall be 25' (7.6 meters) on one layer. A second layer, for 45' (13.7 meters) total, may be wound on if required.

One turn of crank equals 3/8" (10 mm) of cable travel (650 turns to wind in 25' [7.6 meters]). Gear reduction shall be proprietary composite self lubricating gearing with no oil bath. Cable drum shall be grooved for accurate winding, supported in large diameter ball bearings and with positive, "through the drum" type cable anchoring.

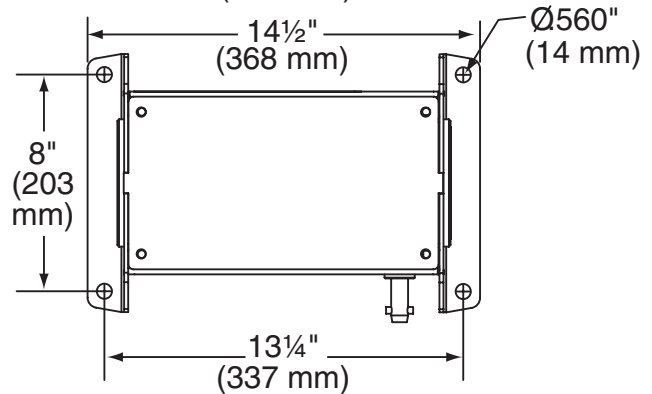
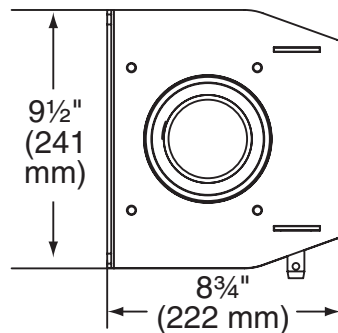
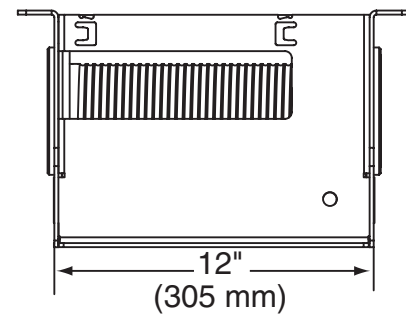
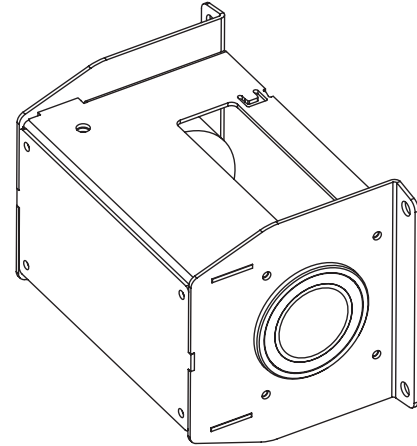
Double, self-locking worm gearing plus passive uni-directional brake. Pressure roller shall be constant pressure type with torsion spring mounting.

Frame construction shall be precision interlocking steel frame for high rigidity and precise alignment. Semi-enclosed for safety. Powder coated for corrosion resistance.

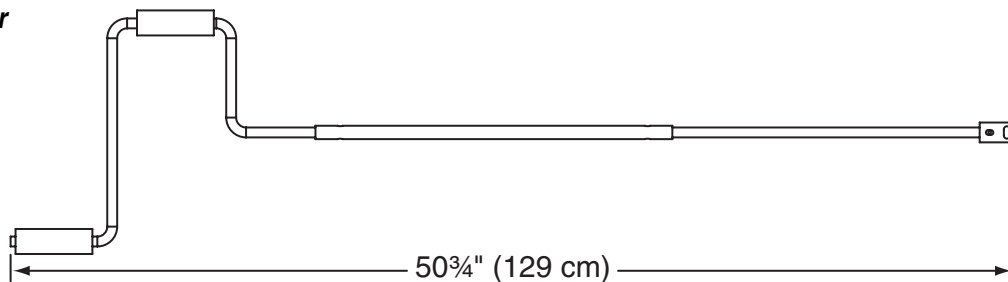
Crank input is on bottom face of unit. Crank plugs in vertically.

Weight (as shipped) 38 lbs. (18 kg.)

**Warning:** Winch shall be located so that backstops are in full view of the operator. Not to be used for lifting people. Not to be used for lifting things over people without a safety locking device or an automatic fall arrest system in place.



### Crank Operator



**DRAPER**

411 S. Pearl St., Spiceland, IN 47385 USA ■ 765-987-7999 ■ fax 765-987-7142

www.draperinc.com

Copyright © 2004 Draper Inc. Form EZ-503086-ManualWinch\_Sub04 Printed in U.S.A.

PROJECT: \_\_\_\_\_

ARCHITECT: \_\_\_\_\_

CONTRACTOR: \_\_\_\_\_

SUPPLIER: \_\_\_\_\_

DATE: \_\_\_\_\_ REVISED: \_\_\_\_\_