

# **SPALDING®**

**Spalding Portable  
Model # 401-890**

# SPALDING SPECIFICATIONS

DATE: 5/22/06

**MODEL NUMBER:** 401890

**DESCRIPTION:** Spalding Portable 10' 8" Extension

## **SPECIFICATIONS:**

### **Frame:**

The base of the frame shall consist of structural steel tubing, comprising of 3"x5", 2"x5", round tubing, and formed sheet metal parts welded together to form a rectangle. The base weldment supports 2 structural steel arms consisting of 3"x5", 3"x3", 2-1/8" Dom, and steel parts welded together. Hinges consist of 1-1/2" ground and polished pins with bronze bearings on all pivot points. The unit shall have a boom weldment consisting of structural steel tubing, comprising of 5"x5", formed sheet metal, and steel parts welded together. The boom shall have an extension of 10'8" from the front base pad to the front of the backboard glass. The unit will come preassembled with 2000lbs. of ballast weight.

### **Wheels:**

The front shall be provided with 2 heavy-duty swivel casters with one 6"x2" poly wheel on each side rated at 900lbs. for each wheel. The rear of the base shall have two 6"x2" poly wheels each side rated at 900lbs. for each wheel. Each unit shall come with an automatic lifting mechanism attached to the front casters for ease of set-up.

### **Anchors:**

Each unit shall come equipped with ribbed brass floor inserts and two heavy-duty drop pins for locating the baskets, Rear anchor and brass cover plate, and adjustable chain links to anchor the unit to the floor.

### **Folding:**

The unit shall operate with a High-Torque DC motor, transformer, and controller, taking only seconds to raise and lower. The unit uses a standard 120V 20amp circuit and appropriate extension cord. The unit shall come with a positive lock at the 8', 9', and 10' playing positions and can be adjusted to meet several heights in between. The unit shall have 2 limit switches, one for the 10' playing position and one for the storage position. A motor cover shall be included and shall be covered to match the padding.

### **Padding:**

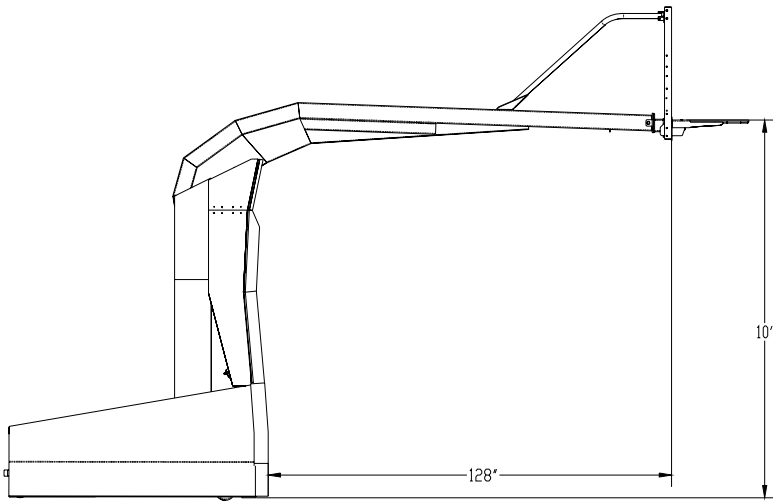
All front padding shall be a minimum of 4" thick P1895 covered with 24oz. Naugahyde®. All base side padding shall be a minimum of 2" thick P1895 covered with 24oz. Naugahyde®. Standard padding color shall be Imperial Blue. Padding is available in 30+ colors and is removable.

### **Finish:**

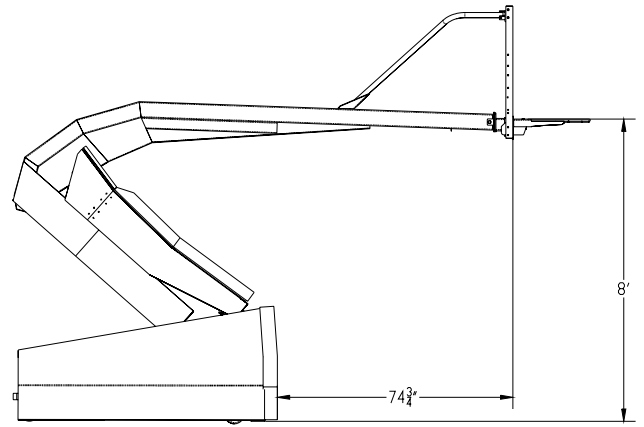
The unit shall be finished with an electro-static powder-coated white which is baked on. Custom colors are available.

### **Rim and Backboard attachment:**

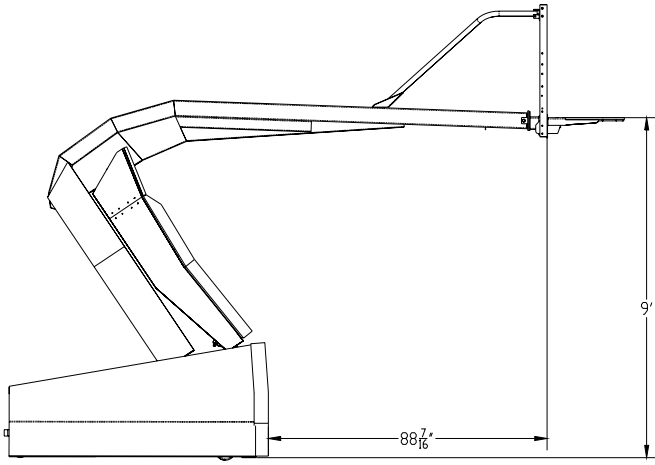
(US Patent No. 4,433,839) Super Glass Pro Backboard. The rim and backboard shall be attached to the unit as a direct mount to completely eliminate stress on the glass backboard during play. The rim will mount through spacers and bolt directly to the backboard structure and to the front of the portable to insure that there is no contact between the mounting bolts, rim, and the glass backboard. A V-Brace support is supplied to further support the backboard during play and shall be painted to match the unit.



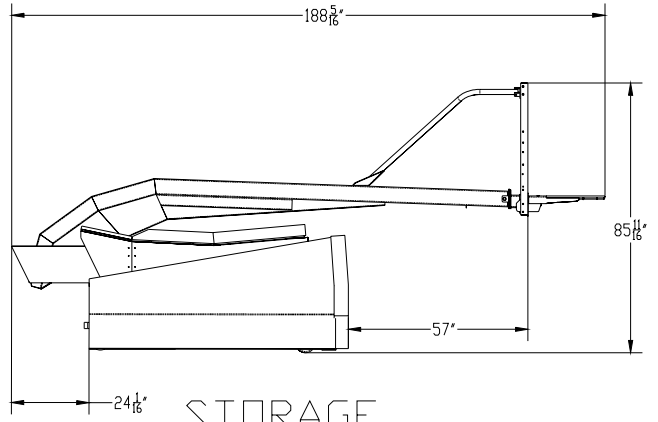
10 FOOT



8 FOOT



9 FOOT



STORAGE

